



Serving Humanity Since 1908

WELMED
INSTRUMENTS CO.

**Neurosurgery Surgery
Catalogue
Group 11**



Manufacturers & Exporters of Quality Surgical Instruments

Neurosurgery & Laminectomy Instruments



Neurosurgery & Laminectomy 11

WELMED Instruments Company
Defence Road
Near Wapda Grid Colony
Sialkot 51310, Pakistan.

Phone : +92 52 3554782, 3558704
Fax : +92 52 3550296
Cell : +92 333 8680640

Email : info@welmedinst.com
welmedpk@gmail.com
wmm@brain.net.pk
welmed@cyber.net.pk

Website : www.welmedinst.com

About Us

Quality begins at **WELMED** Instruments Company where master craftsmen forge and manufacture each instrument to its exact specifications and measurements. Instruments must undergo a series of quality control inspections in order to be worthy of **WELMED** name and warranty. We offer a wide selection of medical instruments including Surgical and Dental instruments.

We have acquired a unique and unmatched understanding of manufacturing through a large experience, working since 1908. Years of experience & state of the art manufacturing facilities helped us to keep our prices low. Our Surgical & Dental instruments are created by expert craftsmen, providing unfaltering quality you can rely on.

We have launched a fully interactive website where you can get online and track your orders 24 hours a day, 7 days in a week, and 365 days a year. Ask for our free e-catalogue on CD-Rom to save time and enjoy hassle free ordering.

We provide our customers with most reliable customer service as your satisfaction is our top priority. Our customers always enjoy our wonderful customer service and quality tools at the best price.

Lastly we invite you to have a work experience with **WELMED** Instruments Company and we will prove ourselves as one of the most valuable source you have.

You can find us at

WELMED Instruments Company
Defence Road, Near Wapda Grid Colony
Sialkot 51310, Pakistan.

Phone : +92 52 3554782, 3558704
Fax : +92 52 3550296
Cell : +92 333 8680640

Emails :
Info@welmedinst.com
welmedpk@gmail.com
wmm@brain.net.pk
welmed@cyber.net.pk

Website : www.welmedinst.com



History

WELMED Instruments Company was founded in 1995. Our Great Grandfather **Mian Muhammad Fazal Elahi** was the founder of M/s M.F. Elahi & Company (E.P.) Pvt. Ltd, established in 1908. WELMED is a sister concern of M.F. Elahi & Co. It is our pride to be a member of M.F. Elahi Family.

WELMED Instruments Company is located in the heart of beautiful city, Sialkot, Pakistan. We are manufacturers and exporters of quality Surgical, Dental instruments and Scissors of all sorts in various categories. We are closely attached with highly skilled surgeons and other technicians of the surgical industry to make the new instruments development possible.

WELMED is in a continuous process of development and testing of new instruments for their precision and perfect functioning. We are also working at imported forging supply by foreign customers.

Certificates

WELMED Instruments Company has achieved the certificates for ISO-9001, ISO-13485, cGMP (FDA) and CE Marking.

Quality Control

All material used in the manufacturing of our instruments are tested from relevant laboratories. Our continuous quality control is our best warranty so that you built confidence in our products.

Deliveries

Deliveries are quick and in-time.

Mode Of Payment

Terms of Payment is ADVANCE or LETTER OF CREDIT (Irrevocable)

Quality Policy

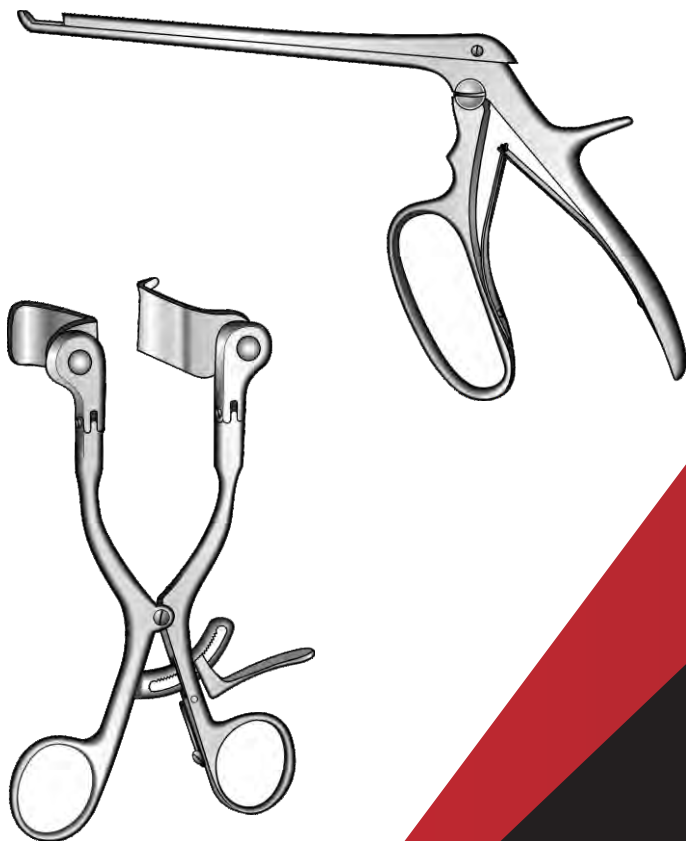
WELMED Instruments Company aims to produce quality Surgical, Dental instruments and Scissors of all sorts at reasonable prices to become an exemplary manufacturer. Our total emphasize is to achieve customer's satisfaction by clearly understanding their requirements and following a quality management system which is a primary concern of all our work force. We do our best to produce instruments of finest quality.



Warranty

All WELMED Instruments are produced from finest stainless steel available to be free from any defect in material or workmanship. Any product that proves to be defective in material or workmanship will either be repaired or replaced without any charge. This warranty is void if the instrument is abused, altered, modified or is not used in the manner for which it is intended.

Neurosurgery & Laminectomy



WELMED
INSTRUMENTS CO.

Beyer Laminectomy Punch	15	Micro Scissor Saw Edge	35
Caspar Blade	43	Micro Scissor Vannas Blade	35
Caspar Different Blade Size	42	Micro Scoop	06
Caspar For Cervical Retractor	41-40	Milligan	10
Caspar Retractor	40	Nicola	28
Caspar Rongeur	26	Oldberg Rongeur	27
Caspar Rongeur	27-26	Olivecrona (gigli)	01
Cervical Traction Tongs	Tongs03	Olivecrona Conves Spatule	14
Citelli Laminectomy Punch	15	Olivecrona Dissector	11
Cone Cranial Punch	02	Penfield Dissector	12
Crutchfield Cervical Traction	03	Ray Curette	04
Crutchfield Drill Point	03	Ray Pituitary Instruments	28
Cushing Decompression Hook	13	Sachs	10
Cushing Laminectomy Rongeur	23	Scoville Different Blade	43
Cushing Spatule	14	Scoville Haverfield Retractor	42
Dahlgren Cranial Rongeur	02	Scoville Nerve Root Retractor	13
Davis Brain Malleable Spatule	14	Scoville Only Frame	43
De Martel (Bailey)	01	Spurling Laminectomy Rongeur	24
De Vilbiss With Hook	02	Takahashi Rongeur	22
Fahlbusch	29-28	Taylor Blade	43
Ferris-Smith Cushing Rongeur	21	Toennis Dure Dissector	11
Ferris-Smith-Kerrison	16,17,20	Weil-blakesley	22
For Cervical Vertebra Column	40	Yasargil Ligature Guides	09
Frazier Dure Separator	10	Yasargil Pituitary Rongeur	27
Gigli Handle	01	Yasargil Raspatory	07,08
Hajek-kofler	19	Yasargil Scoop	07
Hardy Curette	04	Yasargil Vessel Knife	07
Hardy Fahlbusch	28		
Hardy	04,05,28-30		
Hardy-Fahlbusch	05		
Heifetz Spatule	14		
Holsher Root Retractor	13		
Horsley	10		
Jacobson Buttoned Probe	08		
Jacobson Suture Pusher	08		
Jacobson Twin Probe	08		
Jacobson Vessel Knife	08		
Kerrison Punch	15		
Koos Vessel Knife	07		
Kraus	07		
Landolt Reulen	29		
Landolt-Cushing Specula	04		
Love Nerve Root Retractor	13		
Love-gruenwald Rongeur	25		
Love-Kerrison (Colclough)	17		
Love-Kerrison(Colclough)	18-17		
Loyo Pituitary Instrument	31		
Loyo	31-34		
Mico Dissector	06		
Mico Raspatory	06		
Micro Forcep	38-37		
Micro Tumor Grasping Forcep	37		
Micro Dissector	09		
Micro Forcep Angled	37		
Micro Instrument Hook	06		
Micro Needle Holder	39		
Micro Raspatory	09		
Micro Scissor Angled Blade	36-35		



Olivecrona (Gigli)
BC-11-101 25 cm
BC-11-102 30 cm
BC-11-103 40 cm
BC-11-104 50 cm
BC-11-105 60 cm
BC-11-106 70 cm
Wire saws
Sierras de hilo
Fils-scies



GIGLI
BC-11-107
7 cm
Hook handles for wire saws, 1 pair
Mango con gancho, para sierras de hilo, 1 par
Poignees pour scies, 1 paire



DE MARTEL (BAILEY)
BC-11-108
33 cm
Conductor for wire saws
Conductor para sierras de hilo
Conducteur pour scies



BC-11-112



BC-11-110



BC-11-113



Dahlgren
BC-11-109
20 cm
Cranial rongeur with 2 hooks (BC-11-110)
Pinza saca-bocado craneal con
2 ganchos (BC-11-110)
Rongeur craniens avec 2 crochets
(BC-11-110)



DE Vilbiss
BC-11-111
20.5 cm
Cranial rongeur with 1 hook each small
(BC-11-112) & large (BC-11-113)
Pinza saca-bocado craneal con 1 gancho
pequeno (BC-11-112) y grande (BC-11-113)
Rongeur craniens avec 1 crochets petit
(BC-11-112) et grand (BC-11-113)



Cone
BC-11-114
22.5 cm
Cranial punch rongeur for
maximum of 12 mm of bone
Pinza saca-bocados craneal
para craneo hasta 12 mm
Pince cranienne jusqu'a 12 mm
epaissens du crane



Crutchfield BC-11-115
 ø 3.5 mm
 Drill point for crutchfield cervical traction tongs

Perforador inicial para pinzas de traccion craneal Crutchfield

Alesoir pour etrier traction cranienne de Crutchfield



Crutchfield BC-11-116
 ø 5 mm
 Drill point for crutchfield cervical traction tongs

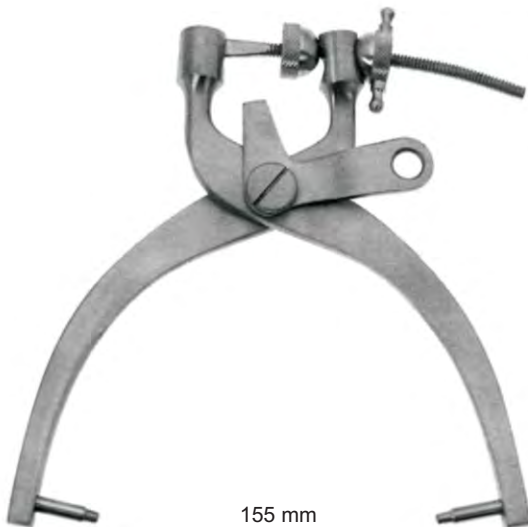
Perforador inicial para pinzas de traccion craneal Crutchfield

Alesoir pour etrier traction cranienne de Crutchfield



150 mm

Crutchfield BC-11-117
 Cervical Traction Tongs, small size
 Pinzas de traccion craneal, tamaño pequeno
 Etrier traction cranienne, petit modele



155 mm

Crutchfield BC-11-118
 Cervical Traction Tongs, medium size
 Pinzas de traccion craneal, tamaño mediano
 Etrier traction cranienns, modele moyen



Spare pin
 punta de repuesto
 pointe de rechange seule

175 mm

BC-11-119
 Cervical Traction Tongs, for extension of the neck vertebrae, large size, pins adjustable hence no initial drilling

Pinza de traccion craneal para la extension de las vertebrae de cuello, tamaño grande, puntas ajustables suprimiendo perforaciones iniciales

Etrier traction cranienne, pour l'extension des vertebrae cervicales, grand modele, mandrins reglabes suppriment la perforation initiale



Landolt-Cushing
BC-11-120 Ø 15 mm x 70 mm
BC-11-121 Ø 15 mm x 90 mm

Specula for trans-sphenoidal hypophysectomy

Especulos para la hipofisectomia trans-sfenoidal

Specula pour la hypophysectomie transsphenoidale



4 mm Ø

4 mm Ø

4 mm Ø



Ray
BC-11-122
18.5 cm
Curette, horizontal 45°
Cureta, horizontal 45°
Curette, horizontale 45°



Ray
BC-11-123
18.5 cm
Curette, horizontal 90°
Cureta, horizontal 90°
Curette, horizontale 90°



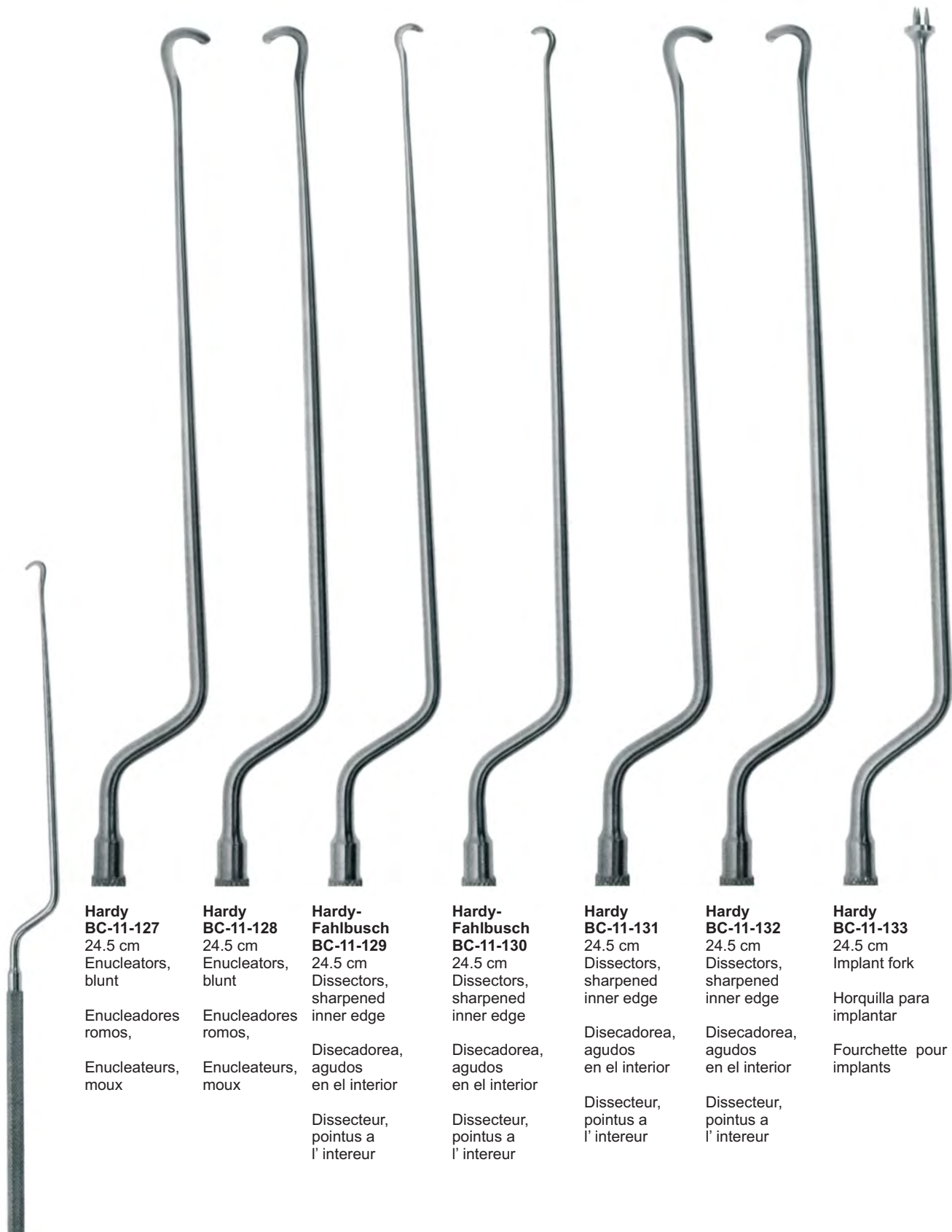
Ray
BC-11-124
18.5 cm
Curette, vertical 45°
Cureta, vertical 45°
Curette, verticale 45°



Hardy
BC-11-125
26 cm
Curette, horizontal 90°, malleable
Cureta, horizontal 90°, maleable
Curette, horizontale 90°, malleable



Hardy
BC-11-126
26 cm
Curette, horizontal 90°, malleable
Cureta, horizontal 90°, maleable
Curette, horizontale 90°, malleable



**Hardy
 BC-11-127**
 24.5 cm
 Enucleators,
 blunt

Enucleadores
 romos,
 Enucleateurs,
 moux

**Hardy
 BC-11-128**
 24.5 cm
 Enucleators,
 blunt

Enucleadores
 romos,
 Enucleateurs,
 moux

**Hardy-
 Fahlbusch
 BC-11-129**
 24.5 cm
 Dissectors,
 sharpened
 inner edge

Disecadorea,
 agudos
 en el interior
 Dissecteur,
 pointus a
 l' intereur

**Hardy-
 Fahlbusch
 BC-11-130**
 24.5 cm
 Dissectors,
 sharpened
 inner edge

Disecadorea,
 agudos
 en el interior
 Dissecteur,
 pointus a
 l' intereur

**Hardy
 BC-11-131**
 24.5 cm
 Dissectors,
 sharpened
 inner edge

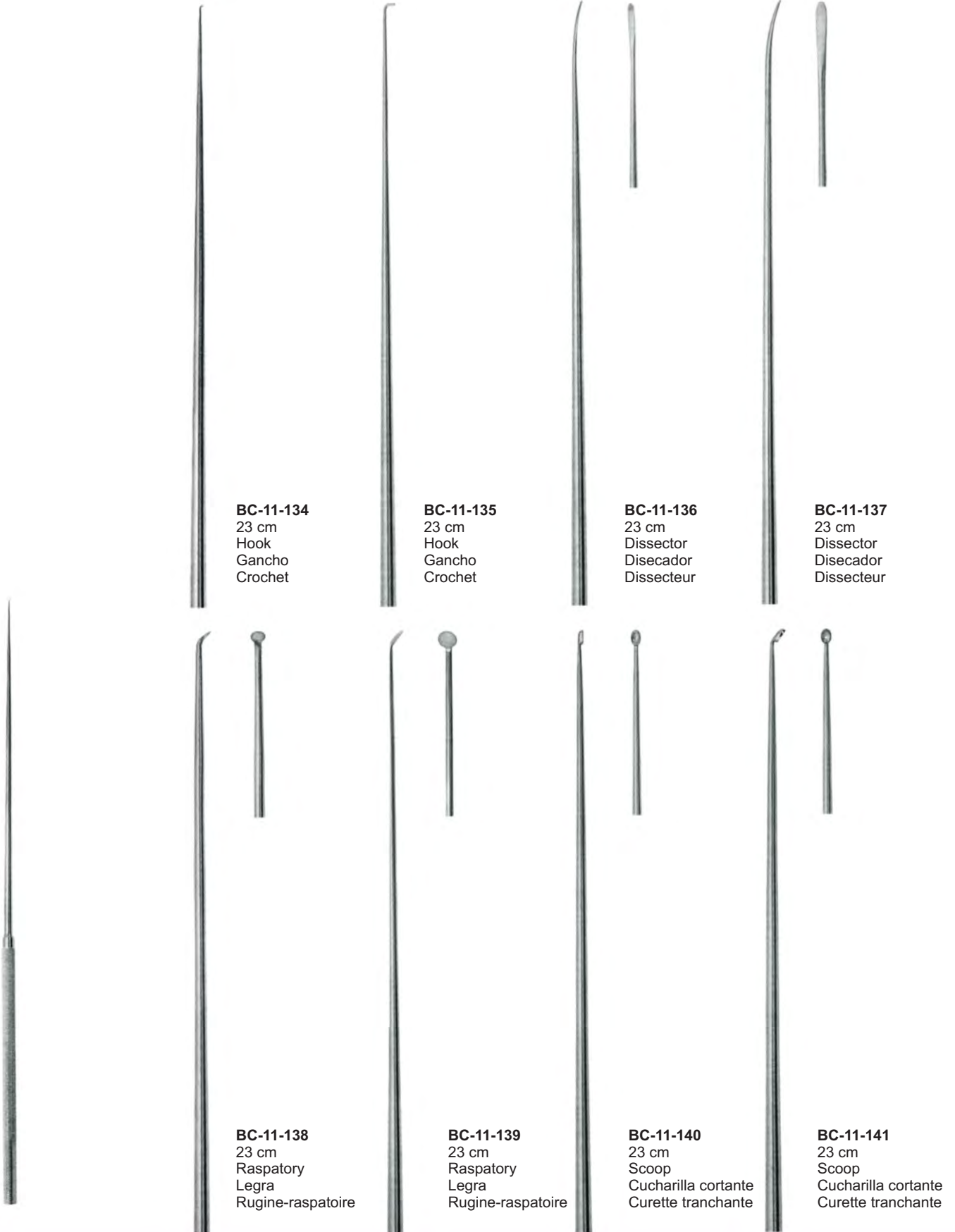
Disecadorea,
 agudos
 en el interior
 Dissecteur,
 pointus a
 l' intereur

**Hardy
 BC-11-132**
 24.5 cm
 Dissectors,
 sharpened
 inner edge

Disecadorea,
 agudos
 en el interior
 Dissecteur,
 pointus a
 l' intereur

**Hardy
 BC-11-133**
 24.5 cm
 Implant fork

Horquilla para
 implantar
 Fourchette pour
 implants





**Yasargil
 BC-11-142**
 18.5 cm
 Raspatory
 Legra
 Rugine-raspatoire



**Yasargil
 BC-11-143**
 18.5 cm
 Raspatory
 Legra
 Rugine-raspatoire



**Yasargil
 BC-11-144**
 18.5 cm
 Raspatory
 Legra
 Rugine-raspatoire



**Yasargil
 BC-11-145**
 18.5 cm
 Scoop
 Cucharilla cortante
 Curette tranchante



**Yasargil
 BC-11-146**
 18.5 cm
 Vessel Knife
 Cuchillo para vasos
 Couteau pour vaisseaux



**Yasargil
 BC-11-147**
 18.5 cm
 Vessel Knife
 Cuchillo para vasos
 Couteau pour vaisseaux



**Koos
 BC-11-148**
 18.5 cm
 Vessel Knife
 Cuchillo para vasos
 Couteau pour vaisseaux



**Koos
 BC-11-149**
 18.5 cm
 Vessel Knife
 Cuchillo para vasos
 Couteau pour vaisseaux



**Koos
 BC-11-150**
 18.5 cm
 Vessel Knife
 Cuchillo para vasos
 Couteau pour vaisseaux



**Koos
 BC-11-151**
 18.5 cm
 Vessel Knife
 Cuchillo para vasos
 Couteau pour vaisseaux



**Kraus
 BC-11-152**
 18.5 cm
 Vessel Knife
 Cuchillo para vasos
 Couteau pour vaisseaux



Lateral cutting edge
 filo de corte lateral
 tranchant lateral



**Jacobson
BC-11-153**
18.5 cm
Buttoned probe
Sonda abotonada
Sonde boutonnee



**Jacobson
BC-11-154**
18.5 cm
Twin probe
Sonda doble
Sonde double



**Jacobson
BC-11-155**
18.5 cm
Suture pusher
Empujador de sutura
Fourche a fill



**Yasargil
BC-11-156**
18.5 cm
Raspatory
Legra
Rugine-raspatoire



**Yasargil
BC-11-157**
18.5 cm
Dissector
Dissecteur



**Yasargil
BC-11-158**
18.5 cm
Raspatory
Legra
Rugine-raspatoire



**Yasargil
BC-11-159**
18.5 cm
Raspatory
Legra
Rugine-raspatoire



**Yasargil
BC-11-160**
18.5 cm
Raspatory
Legra
Rugine-raspatoire



**Jacobson
BC-11-161**
18.5 cm
Vessel Knife
Cuchillo para vasos
Couteau pour vaisseaux



BC-11-162
 23 cm
 Dissector
 Disecador
 Dissecteur

BC-11-163
 23 cm
 Dissector
 Disecador
 Dissecteur

BC-11-164
 23 cm
 Raspatory
 Legra
 Ruginne-raspatoire



Yasargil



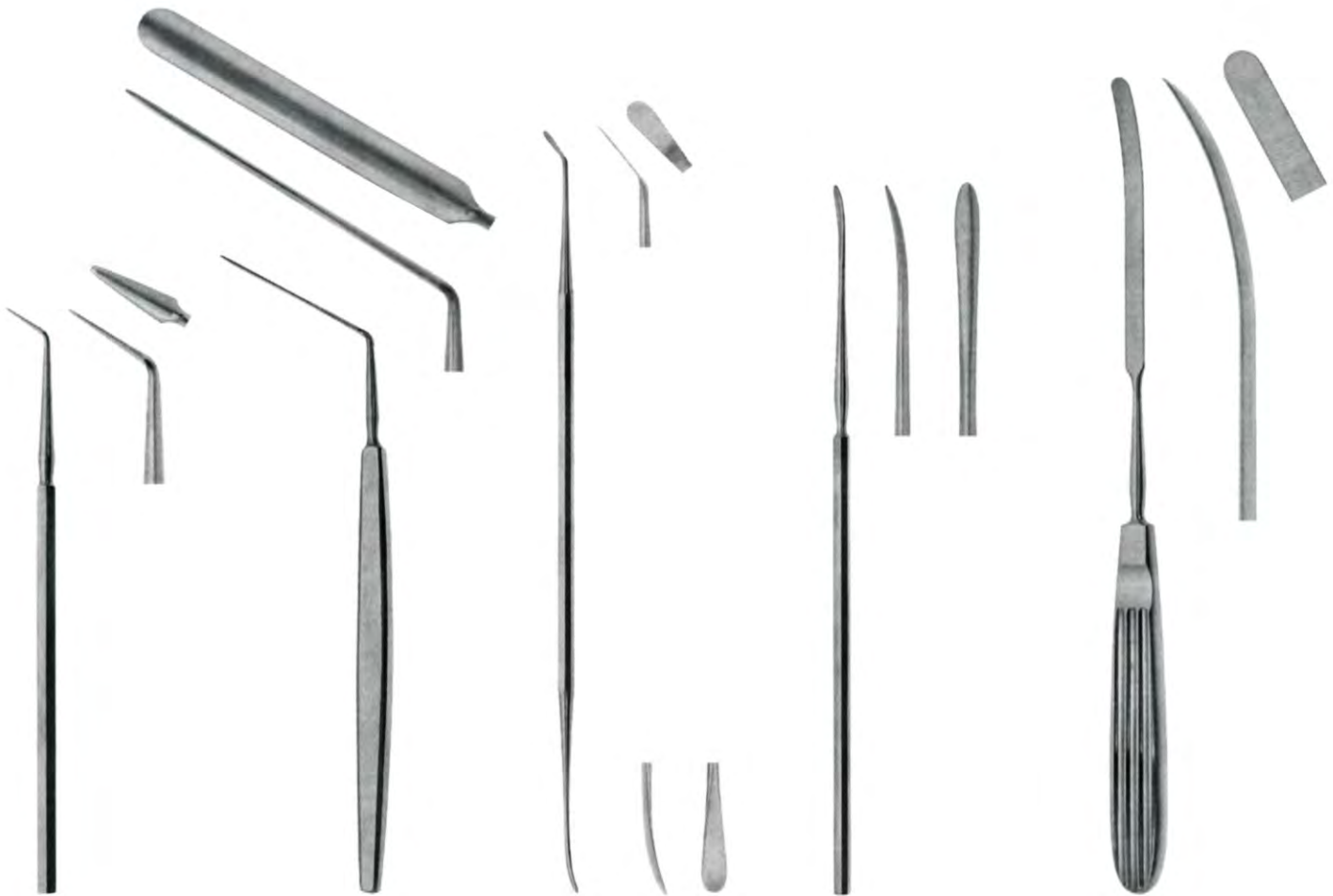
BC-11-165
 18.5 cm

BC-11-166
 18.5 cm

BC-11-167
 18.5 cm

BC-11-168
 18.5 cm

Ligature guides & carriers, probe pointed
 Guia-ligadura, abotonada
 passe-fils, boutons



Frazier
BC-11-169
16.5 cm

Horsley
BC-11-170
18.5 cm

Milligan
BC-11-171
21 cm

Sachs
BC-11-172
20 cm

Sachs
BC-11-173
23 cm



Toennis
BC-11-174
24 cm



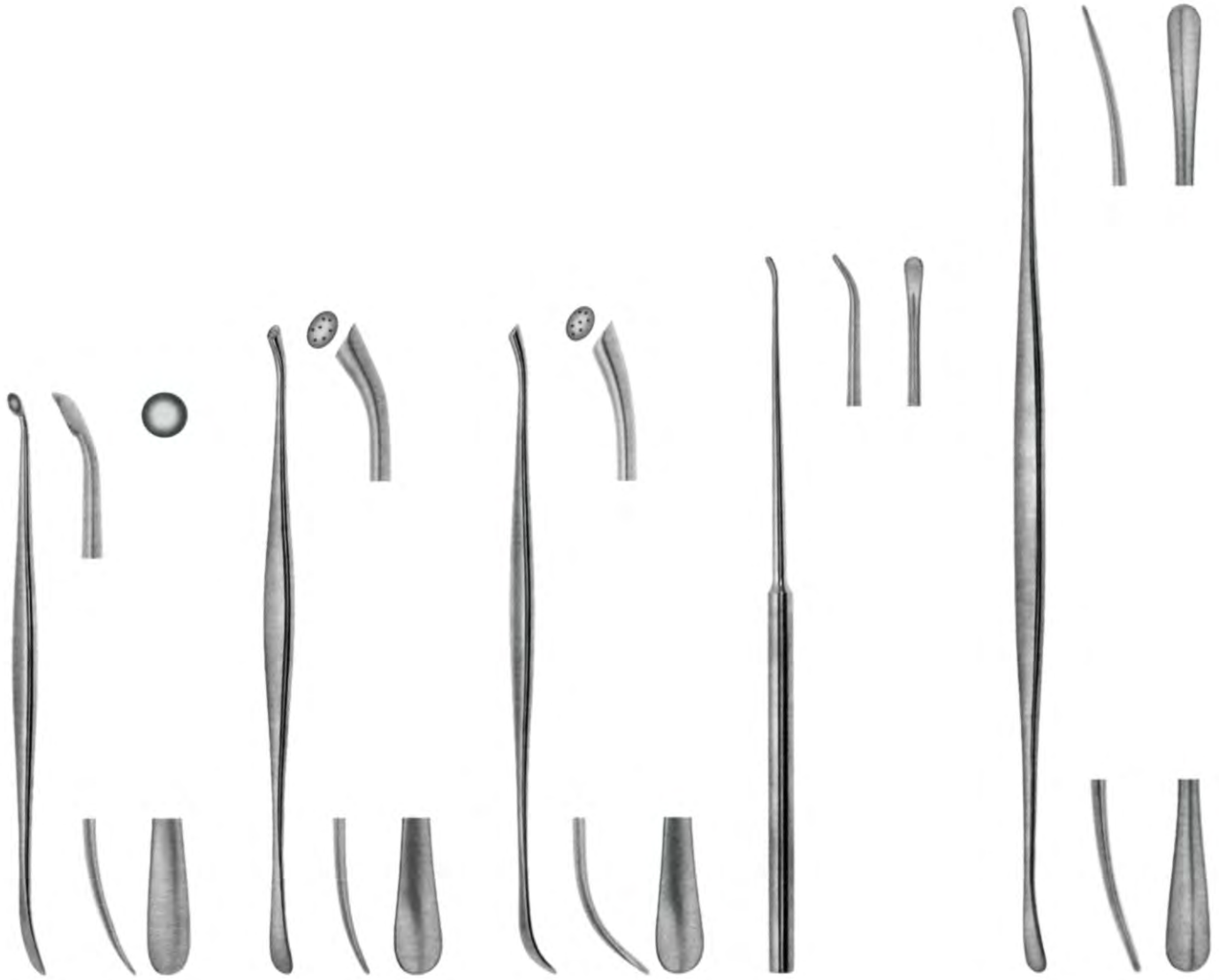
Toennis
BC-11-175
24 cm



Olivecrona
BC-11-176 18 cm
BC-11-177 24 cm



Olivecrona
BC-11-178 19.5 cm
BC-11-179 24.0 cm



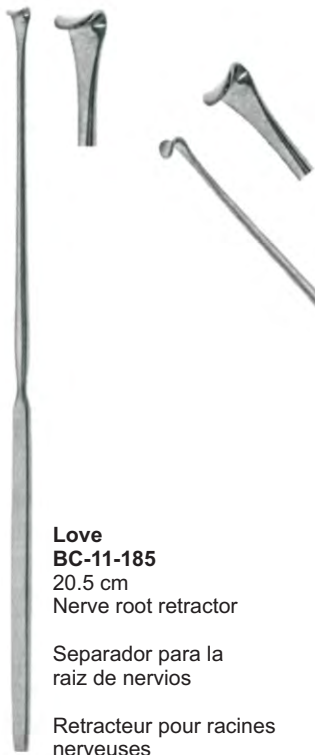
**Penfield
BC-11-180**
17.5 cm

**Penfield
BC-11-181**
19.5 cm

**Penfield
BC-11-182**
19.5 cm

**Penfield
BC-11-183**
21.5 cm

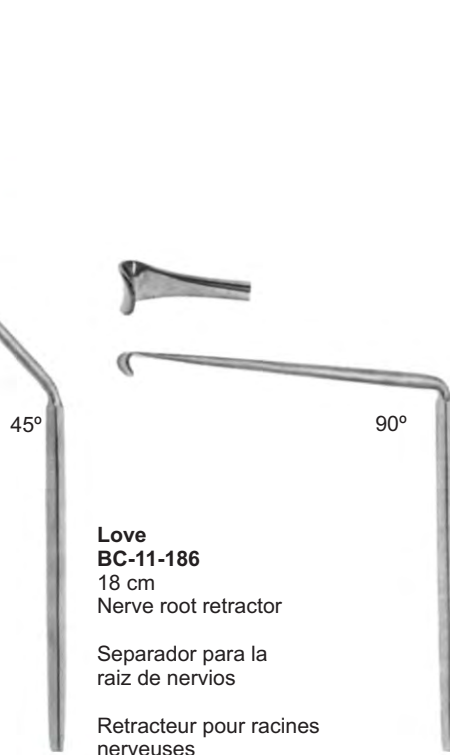
**Penfield
BC-11-184**
29 cm



Love
BC-11-185
20.5 cm
Nerve root retractor

Separador para la
raiz de nervios

Retracteur pour racines
nerveuses



Love
BC-11-186
18 cm
Nerve root retractor

Separador para la
raiz de nervios

Retracteur pour racines
nerveuses



Love
BC-11-187
14 cm
Nerve root retractor

Separador para la
raiz de nervios

Retracteur pour
racines nerveuses



Love
BC-11-188
22.5 cm
Nerve root retractor

Separador para la
raiz de nervios

Retracteur pour racines
nerveuses



Scoville
BC-11-189
23 cm
Nerve root retractor

Separador para la
raiz de nervios

Retracteur pour racines
nerveuses



Holsher
BC-11-190
24 cm
Nerve root retractor

Separador para la
raiz de nervios

Retracteur pour racines
nerveuses



Scoville
BC-11-191
20 cm
Nerve root retractor

Separador para la
raiz de nervios

Retracteur pour racines
nerveuses



Cushing
BC-11-192
21 cm
Decompression hook
Gancho para decompression
Crochet pour decompression



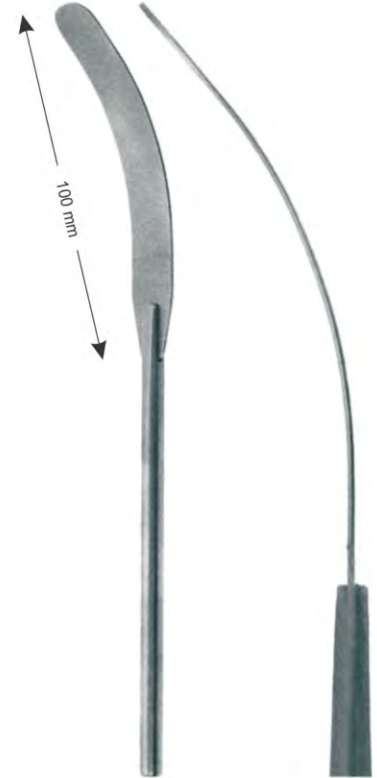
Davis
BC-11-193 13 mm x 190 mm
BC-11-194 16 mm x 190 mm
malleable
maleables
malleables



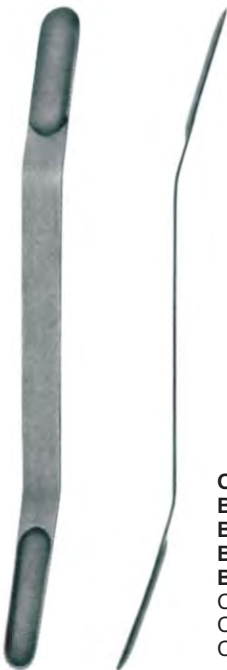
Cushing
BC-11-195 10 + 12 mm x 195 mm



Heifetz
BC-11-196 8 mm x 155 mm
BC-11-197 11 mm x 155 mm
BC-11-198 14 mm x 155 mm
BC-11-199 17 mm x 155 mm
malleable
maleables
malleables



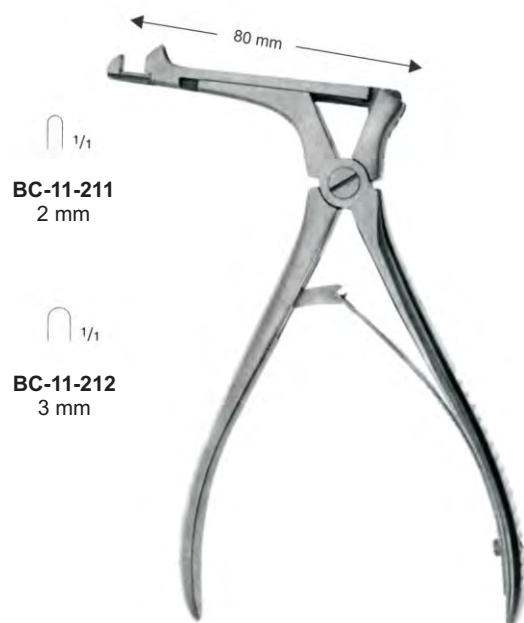
Heifetz
BC-11-200 14 mm x 200 mm
BC-11-201 17 mm x 200 mm
BC-11-202 20 mm x 200 mm
malleable
maleables
malleables



Olivecrona
BC-11-203 7 + 9 mm x 180 mm
BC-11-204 11 + 13 mm x 180 mm
BC-11-205 15 + 18 mm x 180 mm
BC-11-216 19 + 21 mm x 180 mm
Convex
Convexas
Convexes



Olivecrona
BC-11-207 7 + 9 mm x 180 mm
BC-11-208 11 + 13 mm x 180 mm
BC-11-209 15 + 18 mm x 180 mm
BC-11-210 19 + 21 mm x 180 mm
Concave
Concavas
Concaves



BC-11-211
2 mm

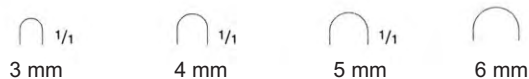
BC-11-212
3 mm

Citelli
 upwards cutting 90°
 cortante hacia arriba 90°
 coupant vers le haut 90°



BC-11-213
2 mm

Beyer
BC-11-213
 upwards cutting 90°
 cortante hacia arriba 90°
 coupant vers le haut 90°

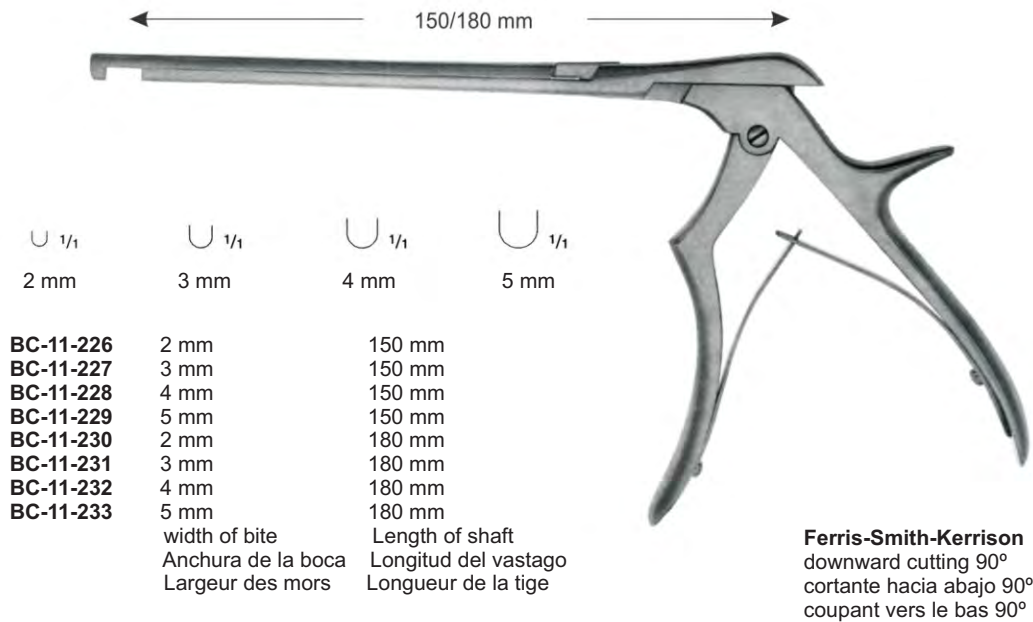
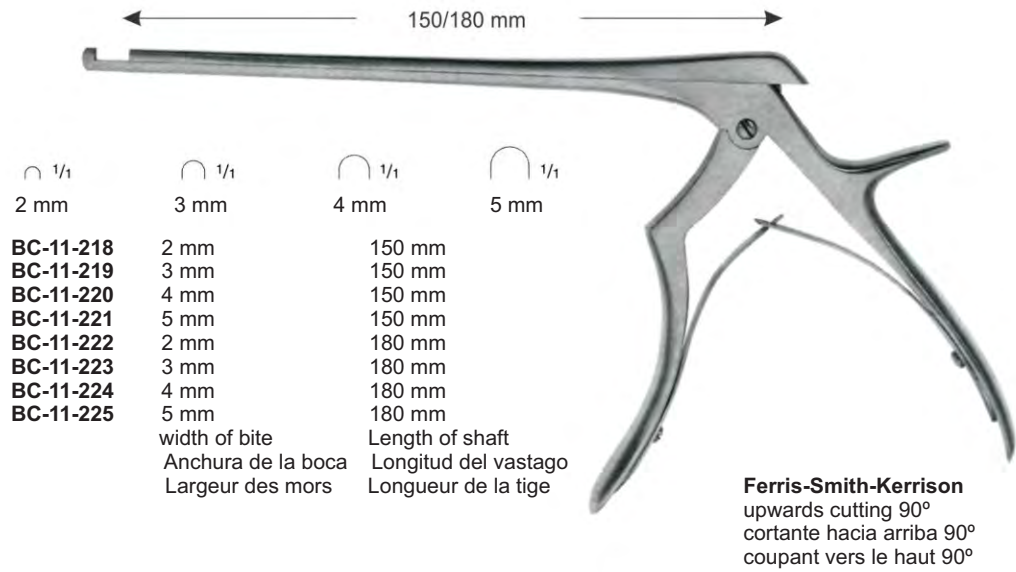


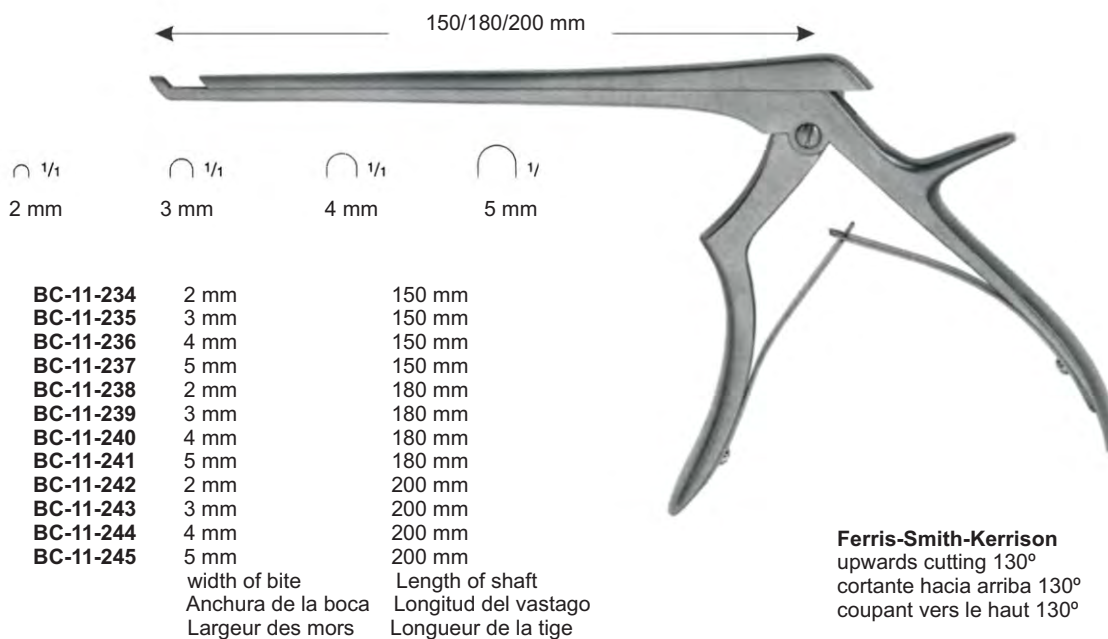
BC-11-214	3 mm	90 mm
BC-11-215	4 mm	90 mm
BC-11-216	5 mm	90 mm
BC-11-217	6 mm	90 mm

width of bite Length of shaft
 Anchura de la boca Longitud del vastago
 Largeur des mors Longueur de la tige

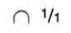


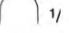


Kerrison
 upwards cutting 90°
 cortante hacia arriba 90°
 coupant vers le haut 90°



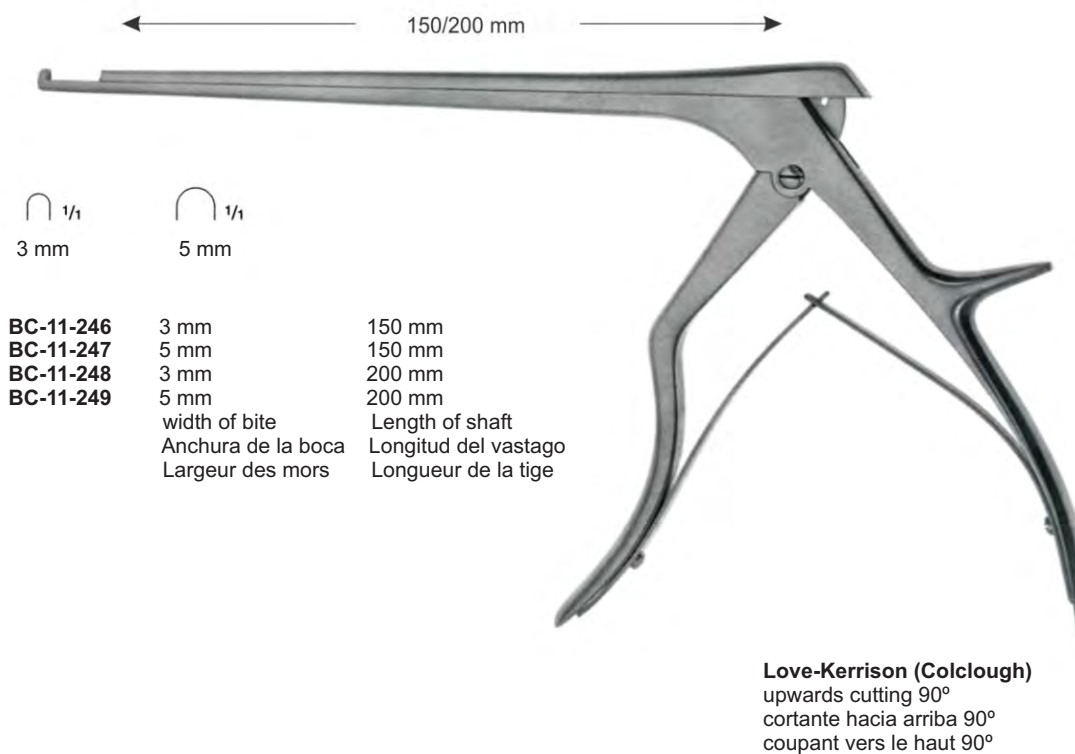
← 150/180/200 mm →

 1/4	 1/4	 1/4	 1/4
2 mm	3 mm	4 mm	5 mm



BC-11-234	2 mm	150 mm
BC-11-235	3 mm	150 mm
BC-11-236	4 mm	150 mm
BC-11-237	5 mm	150 mm
BC-11-238	2 mm	180 mm
BC-11-239	3 mm	180 mm
BC-11-240	4 mm	180 mm
BC-11-241	5 mm	180 mm
BC-11-242	2 mm	200 mm
BC-11-243	3 mm	200 mm
BC-11-244	4 mm	200 mm
BC-11-245	5 mm	200 mm

width of bite Length of shaft
 Anchura de la boca Longitud del vastago
 Largeur des mors Longueur de la tige

Ferris-Smith-Kerrison
 upwards cutting 130°
 cortante hacia arriba 130°
 coupant vers le haut 130°



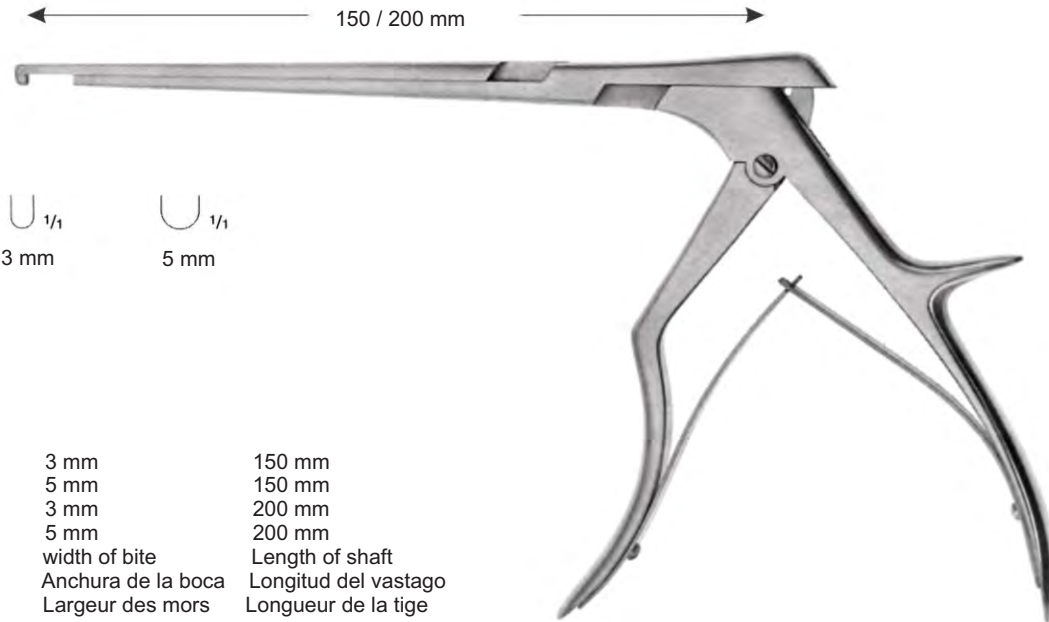
← 150/200 mm →

 1/4	 1/4
3 mm	5 mm

BC-11-246	3 mm	150 mm
BC-11-247	5 mm	150 mm
BC-11-248	3 mm	200 mm
BC-11-249	5 mm	200 mm

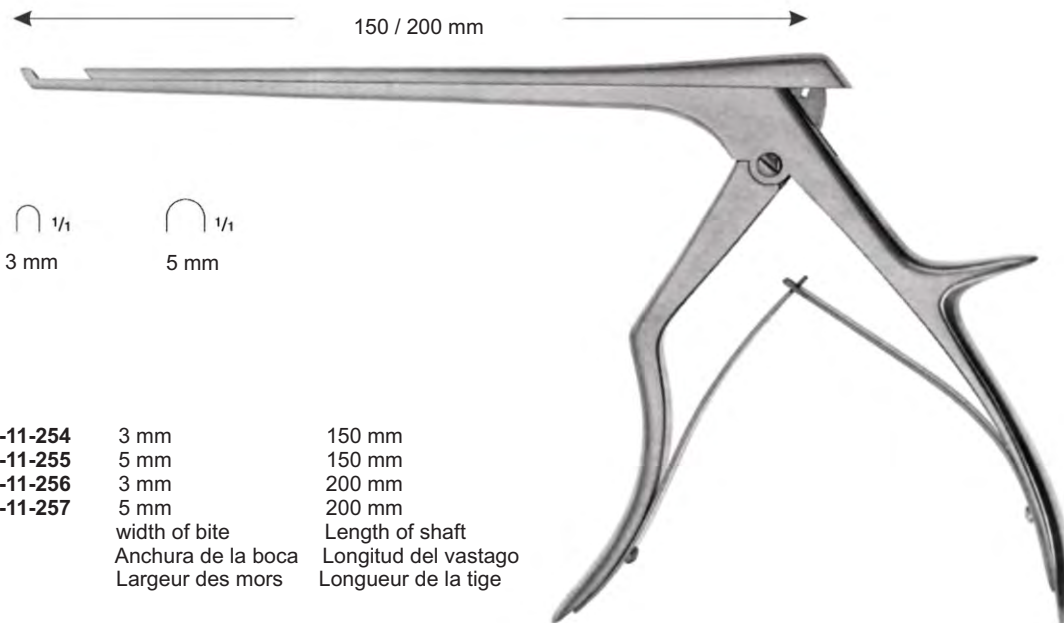
width of bite Length of shaft
 Anchura de la boca Longitud del vastago
 Largeur des mors Longueur de la tige

Love-Kerrison (Colclough)
 upwards cutting 90°
 cortante hacia arriba 90°
 coupant vers le haut 90°



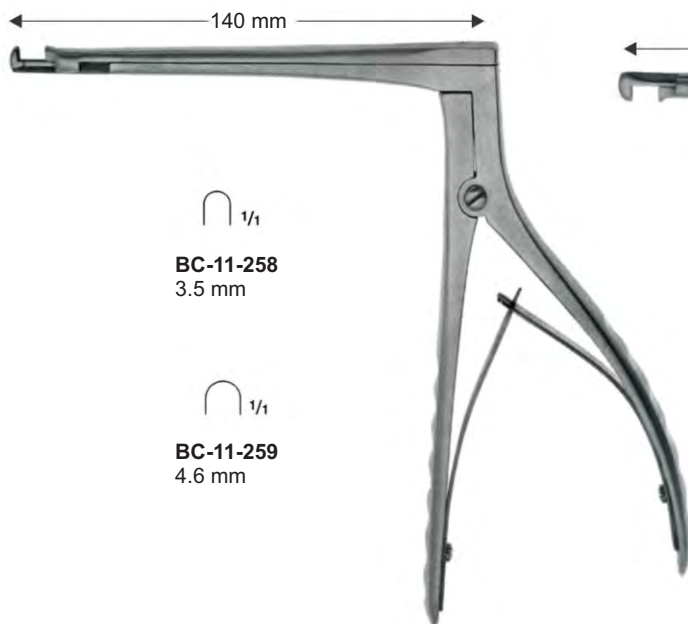
BC-11-250	3 mm	150 mm
BC-11-251	5 mm	150 mm
BC-11-252	3 mm	200 mm
BC-11-253	5 mm	200 mm
	width of bite	Length of shaft
	Anchura de la boca	Longitud del vastago
	Largeur des mors	Longueur de la tige

Love-Kerrison (Colclough)
downwards cutting 90°
cortante hacia abajo 90°
coupant vers le bas 90°



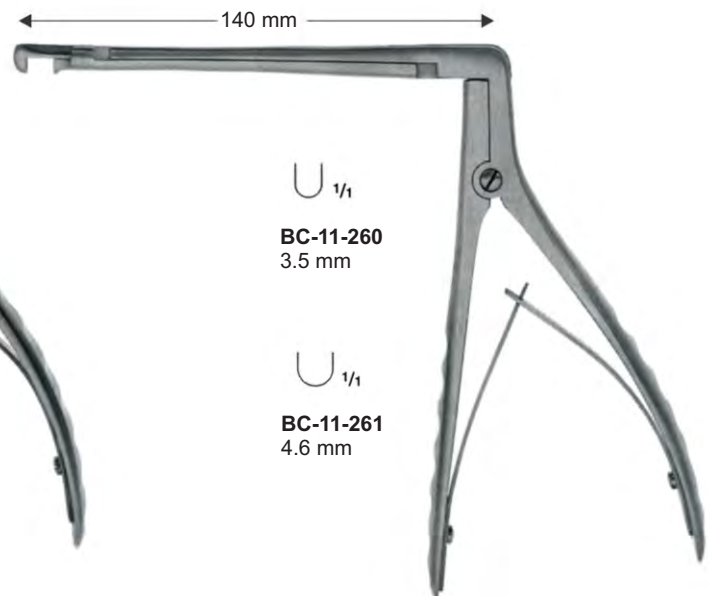
BC-11-254	3 mm	150 mm
BC-11-255	5 mm	150 mm
BC-11-256	3 mm	200 mm
BC-11-257	5 mm	200 mm
	width of bite	Length of shaft
	Anchura de la boca	Longitud del vastago
	Largeur des mors	Longueur de la tige

Love-Kerrison (Colclough)
upwards cutting 130°
cortante hacia arriba 130°
coupant vers le haut 130°



BC-11-258
3.5 mm

BC-11-259
4.6 mm

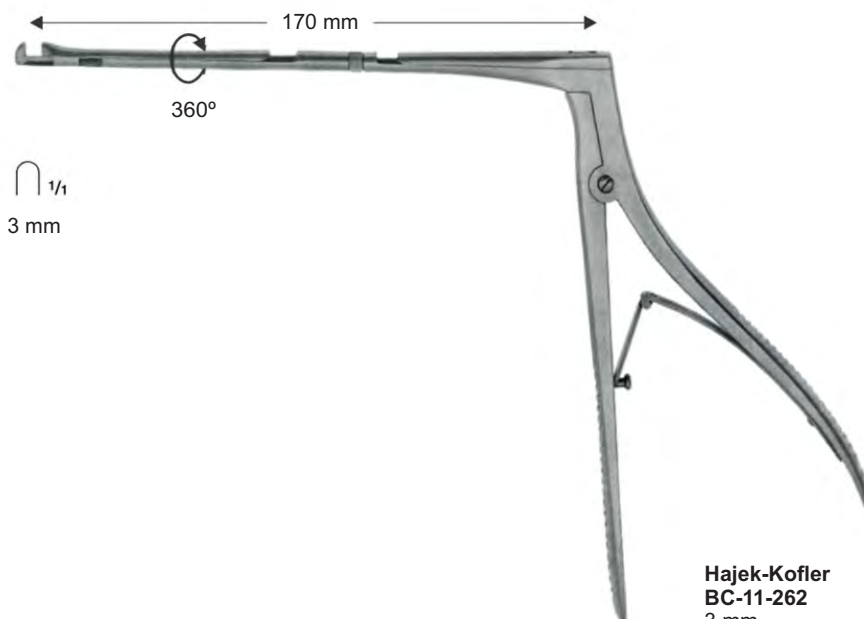


BC-11-260
3.5 mm

BC-11-261
4.6 mm

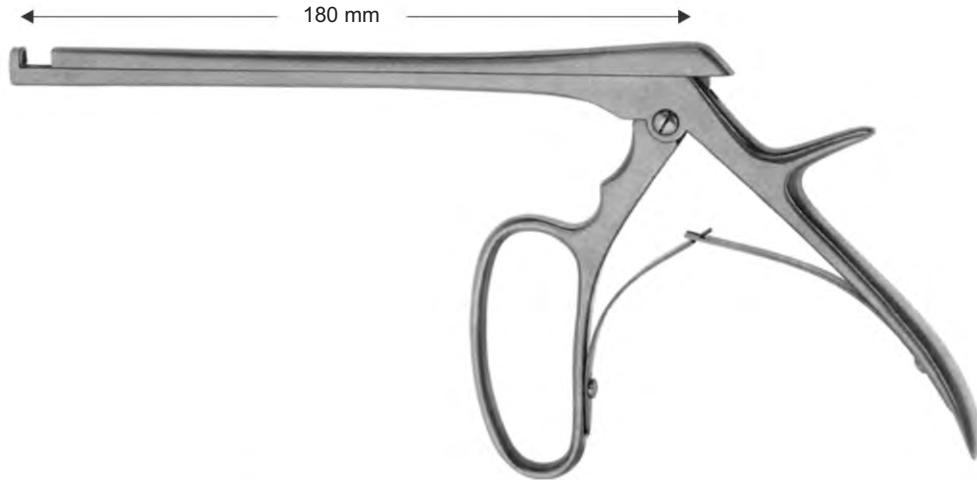
Hajek-Kofler
upwards cutting 90°
cortante hacia arriba 90°
coupant vers le haut 90°

Hajek-Kofler
upwards cutting 90°
cortante hacia arriba 90°
coupant vers le haut 90°



3 mm

Hajek-Kofler
BC-11-262
3 mm
90° cutting, shaft rotates 360°
corte 90°, vastago girable 360°
coupant a 90°, tige tournant 360°






BC-11-263
3 mm


BC-11-264
5 mm

Ferris-Smith-Kerrison
upwards cutting 90°
cortante hacia arriba 90°
coupant vers le haut 90°




BC-11-265
3 mm


BC-11-266
5 mm

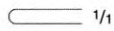
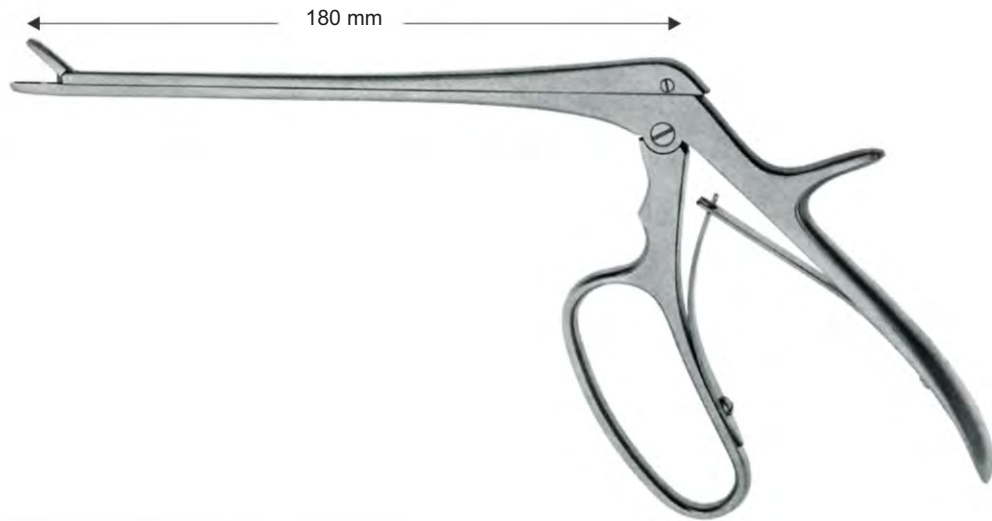
Ferris-Smith-Kerrison
downwards cutting 90°
cortante hacia abajo 90°
coupant vers le bas 90°




BC-11-267
3 mm


BC-11-268
5 mm

Ferris-Smith-Kerrison
upwards cutting 130°
cortante hacia arriba 130°
coupant vers le haut 130°



BC-11-269
2 x 10 mm

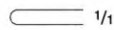


BC-11-270
3 x 10 mm

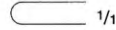


BC-11-271
4 x 10 mm

Ferris-Smith-Cushing
straight
recta
droits



BC-11-272
2 x 10 mm



BC-11-273
3 x 10 mm

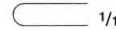


BC-11-274
4 x 10 mm

Ferris-Smith-Kerrison
curved on flat
curva hacia arriba
courbure vers le haut



BC-11-275
2 x 10 mm

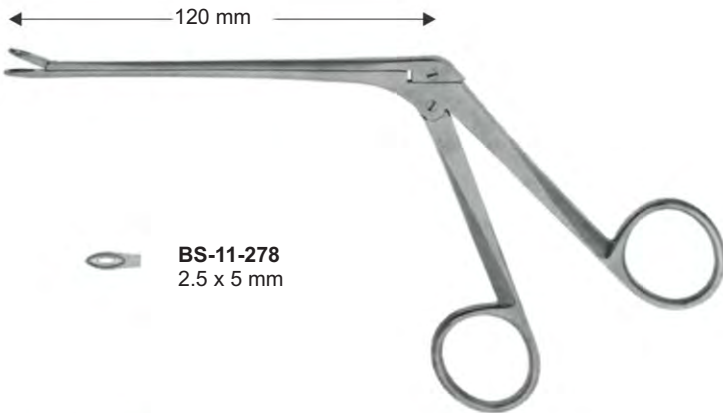


BC-11-276
3 x 10 mm



BC-11-277
4 x 10 mm

Ferris-Smith-Kerrison
curved down
curva hacia abajo
courbure vers le bas

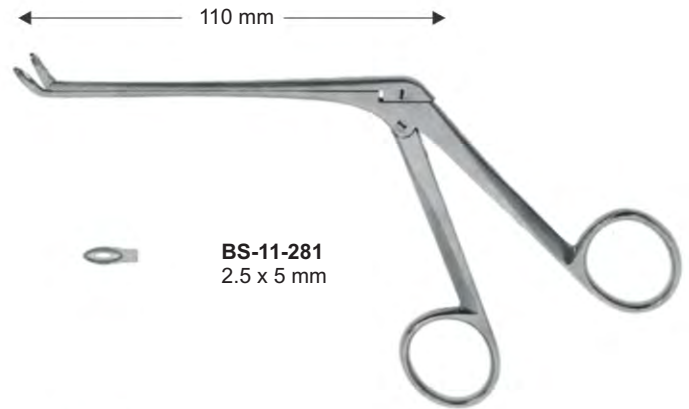


BS-11-278
2.5 x 5 mm

BS-11-279
3.6 x 8 mm

BS-11-280
4.8 x 12 mm

Weil-Blakesley
straight
recta
droits

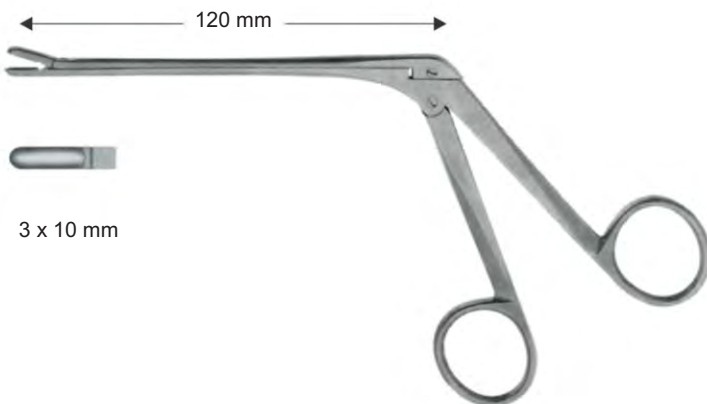


BS-11-281
2.5 x 5 mm

BS-11-282
3.6 x 8 mm

BS-11-283
4.8 x 12 mm

Weil-Blakesley
curved on flat
curva hacia arriba
courbure vers le haut



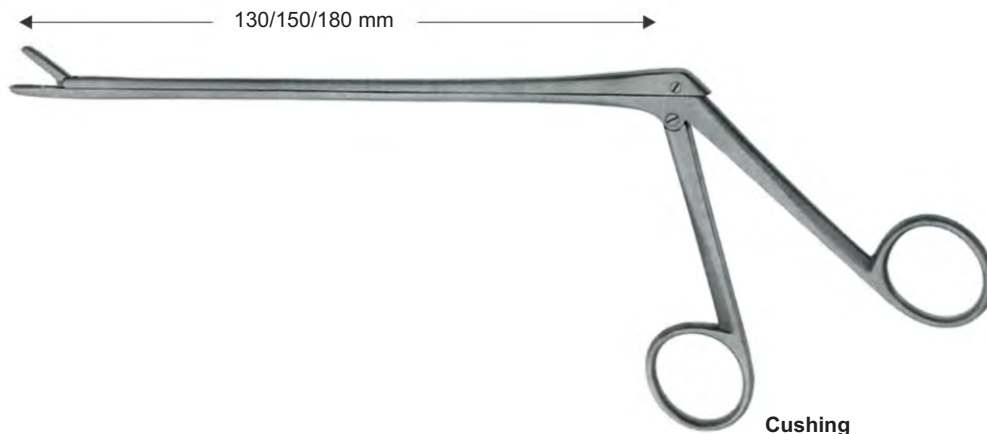
3 x 10 mm


Takahashi
BC-11-284
3 x 10 mm
straight
recta
droits



3 x 10 mm


Takahashi
BC-11-285
3 x 10 mm
curved on flat
curva hacia arriba
courbure vers le haut



 1/1
2 x 10 mm


BC-11-286	2 x 10 mm	130 mm
BC-11-287	2 x 10 mm	150 mm
BC-11-288	2 x 10 mm	180 mm
straight	Anchura de la boca	Longitud del vastago
recta	Largeur des mors	Longueur de la tige
droits	Larghezza del morso	Lunghezza dell' asta



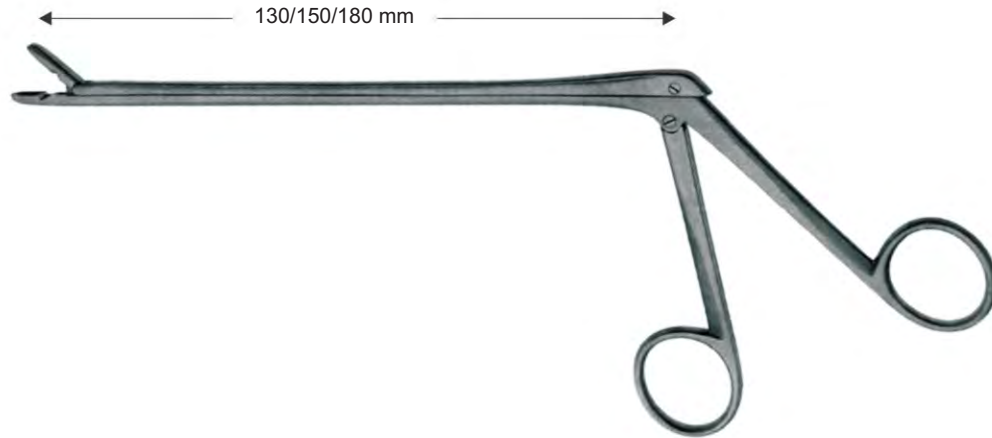
 1/1
2 x 10 mm

BC-11-289	2 x 10 mm	130 mm
BC-11-290	2 x 10 mm	150 mm
BC-11-291	2 x 10 mm	180 mm
curved on flat	Size of jaw	length of shaft
curva hacia arriba	Anchura de la boca	Longitud del vastago
courbure vers le haut	Largeur des mors	Longueur de la tige



 1/1
2 x 10 mm

BC-11-292	2 x 10 mm	130 mm
BC-11-293	2 x 10 mm	150 mm
BC-11-294	2 x 10 mm	180 mm
curved down	Size of jaw	length of shaft
curva hacia abajo	Anchura de la boca	Longitud del vastago
courbure vers le bas	Largeur des mors	Longueur de la tige



Spurling



1/1
4 x 10 mm

BC-11-295	4 x 10 mm	130 mm
BC-11-296	4 x 10 mm	150 mm
BC-11-297	4 x 10 mm	180 mm
straight	Size of jaw	length of shaft
recta	anchura de la boca	Longitud del vastago
droits	Largeur des mors	Longeue de la tige



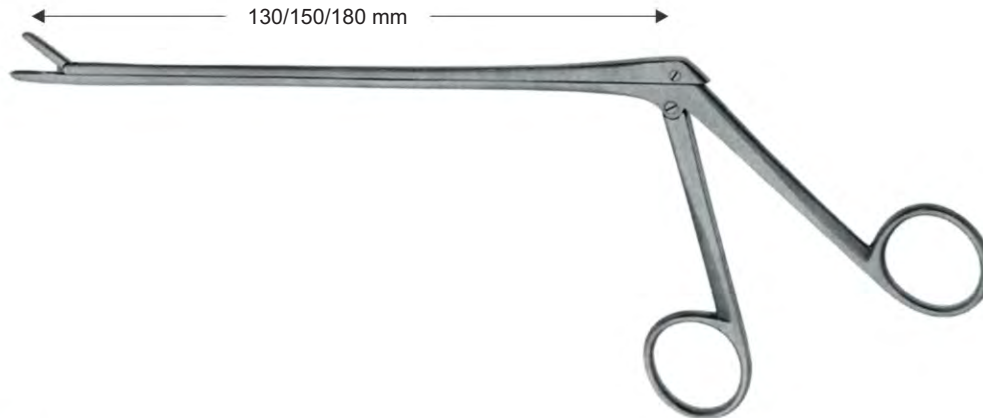
1/1
4 x 10 mm

BC-11-298	4 x 10 mm	130 mm
BC-11-299	4 x 10 mm	150 mm
BC-11-300	4 x 10 mm	180 mm
curved on flat	Size of jaw	length of shaft
curva hacia arriba	anchura de la boca	Longitud del vastago
courbure vers le haut	Largeur des mors	Longeue de la tige



1/1
4 x 10 mm

BC-11-301	4 x 10 mm	130 mm
BC-11-302	4 x 10 mm	150 mm
BC-11-303	4 x 10 mm	180 mm
curved down	Size of jaw	length of shaft
curva hacia abajo	Anchura de la boca	Longitud del vastago
courbure vers le bas	Largeur des mors	Longeue de la tige



Love-Gruenwald



$\frac{1}{1}$
 3 x 10 mm

BC-11-304	3 x 10 mm	130 mm
BC-11-305	3 x 10 mm	150 mm
BC-11-306	3 x 10 mm	180 mm
straight	Size of jaw	length of shaft
recta	Anchura de la boca	Longitud del vastago
droits	Largeur des mors	Longueur de la tige



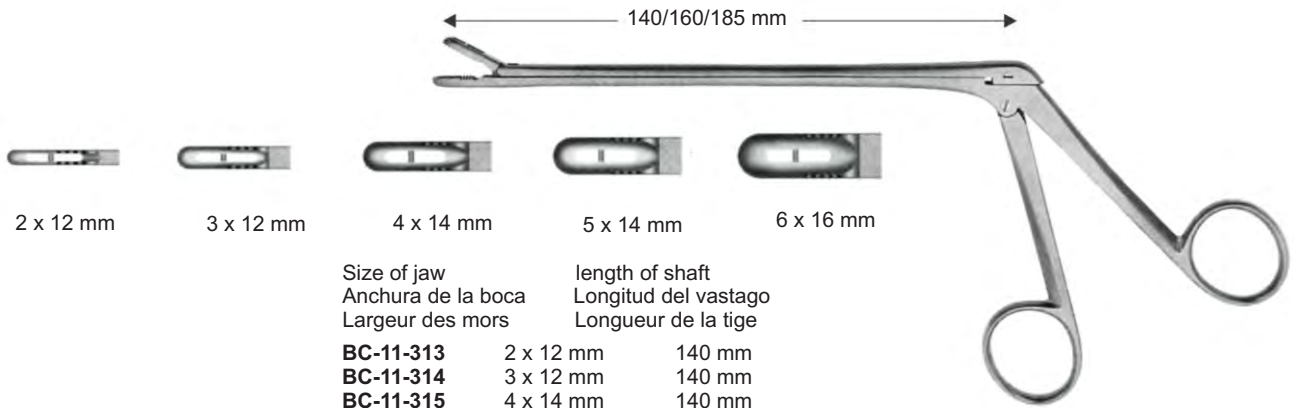
$\frac{1}{1}$
 3 x 10 mm

BC-11-307	3 x 10 mm	130 mm
BC-11-308	3 x 10 mm	150 mm
BC-11-309	3 x 10 mm	180 mm
curved on flat	Size of jaw	length of shaft
curva hacia arriba	Anchura de la boca	lonitud del vastago
courbure vers le haut	Largeur des mors	longueur de la tige



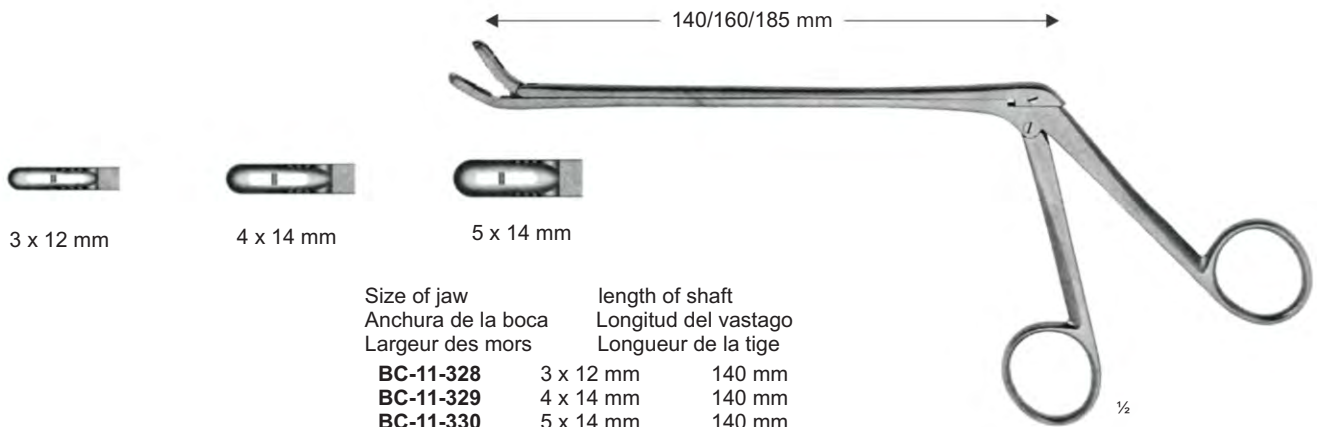
$\frac{1}{1}$
 3 x 10 mm

BC-11-310	3 x 10 mm	130 mm
BC-11-311	3 x 10 mm	150 mm
BC-11-312	3 x 10 mm	180 mm
curved down	Size of jaw	length of shaft
curva hacia abajo	Anchura de la boca	Longitud del vastago
courbure vers le bas	Largeur des mors	Longueur de la tige



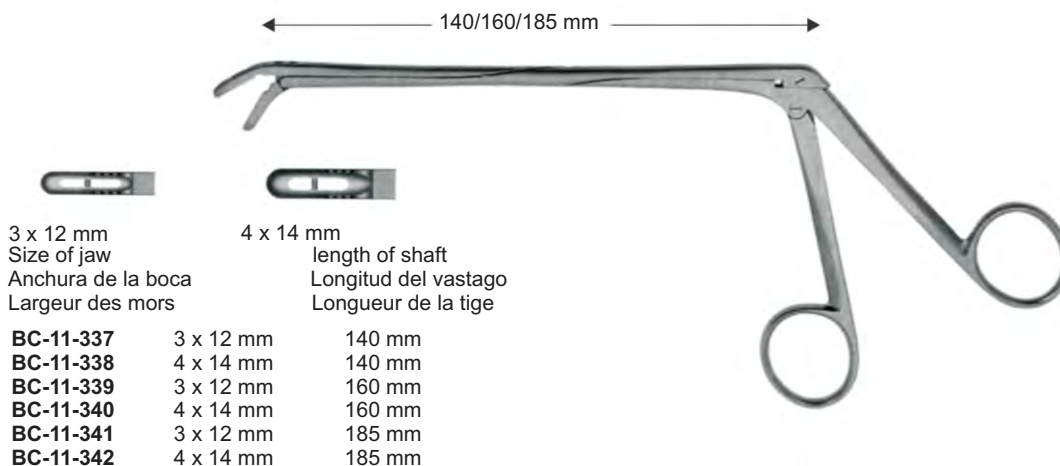
	Size of jaw Anchura de la boca Largeur des mors	length of shaft Longitud del vastago Longueur de la tige
BC-11-313	2 x 12 mm	140 mm
BC-11-314	3 x 12 mm	140 mm
BC-11-315	4 x 14 mm	140 mm
BC-11-316	5 x 14 mm	140 mm
BC-11-317	6 x 16 mm	140 mm
BC-11-318	2 x 12 mm	160 mm
BC-11-319	3 x 12 mm	160 mm
BC-11-320	4 x 14 mm	160 mm
BC-11-321	5 x 14 mm	160 mm
BC-11-322	6 x 16 mm	160 mm
BC-11-323	2 x 12 mm	185 mm
BC-11-324	3 x 12 mm	185 mm
BC-11-325	4 x 14 mm	185 mm
BC-11-326	5 x 14 mm	185 mm
BC-11-327	6 x 16 mm	185 mm

Caspar
straight
recta
droits

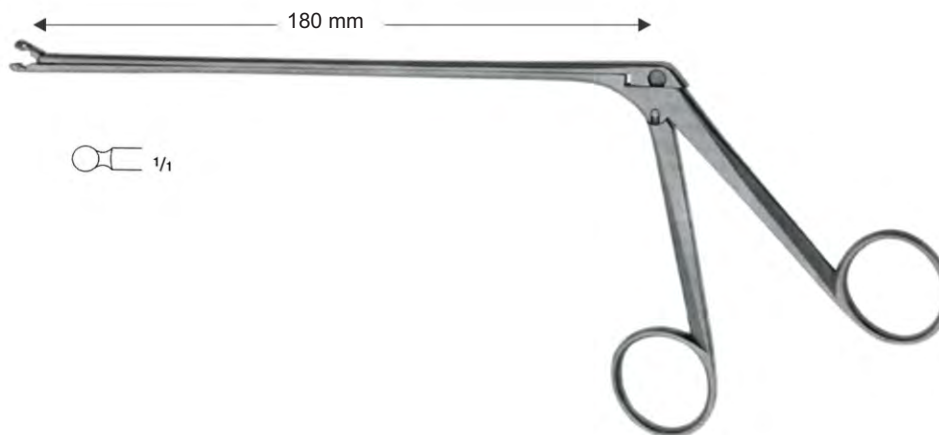


	Size of jaw Anchura de la boca Largeur des mors	length of shaft Longitud del vastago Longueur de la tige
BC-11-328	3 x 12 mm	140 mm
BC-11-329	4 x 14 mm	140 mm
BC-11-330	5 x 14 mm	140 mm
BC-11-331	3 x 12 mm	160 mm
BC-11-332	4 x 14 mm	160 mm
BC-11-333	5 x 14 mm	160 mm
BC-11-334	3 x 12 mm	185 mm
BC-11-335	4 x 14 mm	185 mm
BC-11-336	5 x 14 mm	185 mm

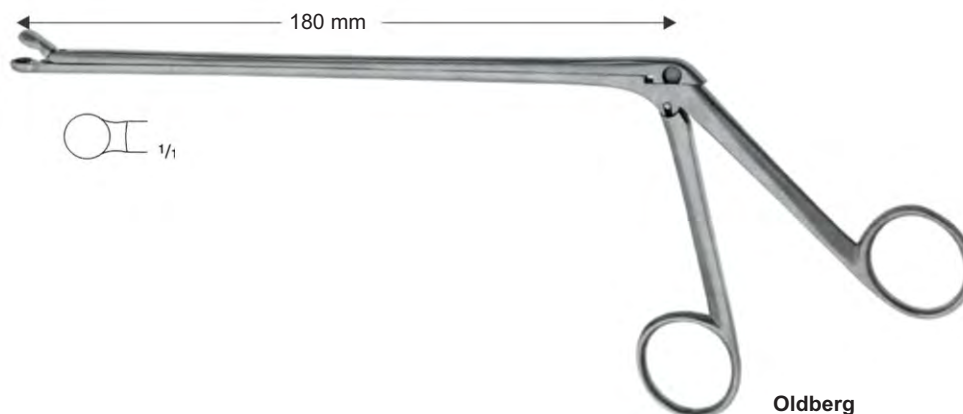
Caspar
curved on flat
curva hacia arriba
courbure vers le haut



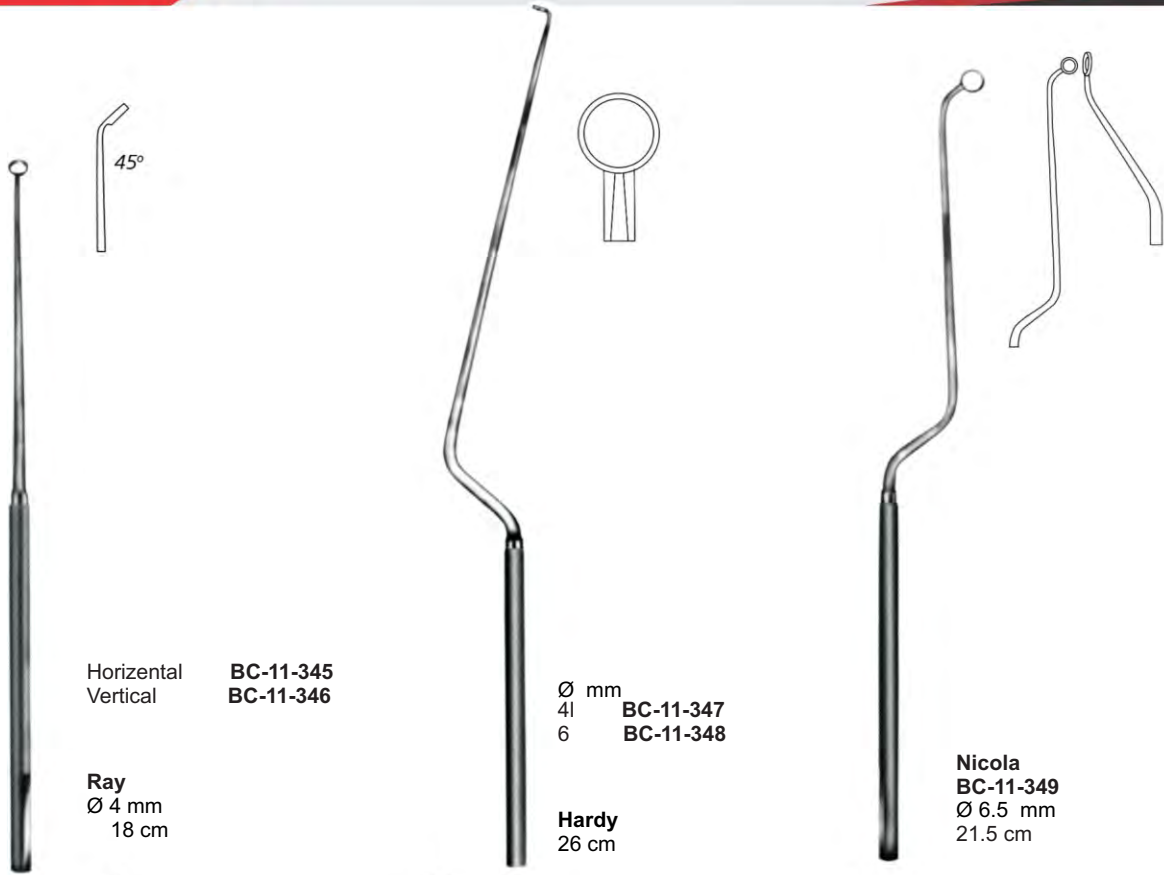
Caspar
 curved down
 curva hacia abajo
 courbure vers le bas



Yasargil
BC-11-343
 3.5 mm
 Pituitary rongeur
 Pinza para hipofisis
 Pince pour l'hypophyse



Oldberg
BC-11-344
 6 mm
 Pituitary rongeur
 Pinza para hipofisis
 Pince pour l'hypophyse



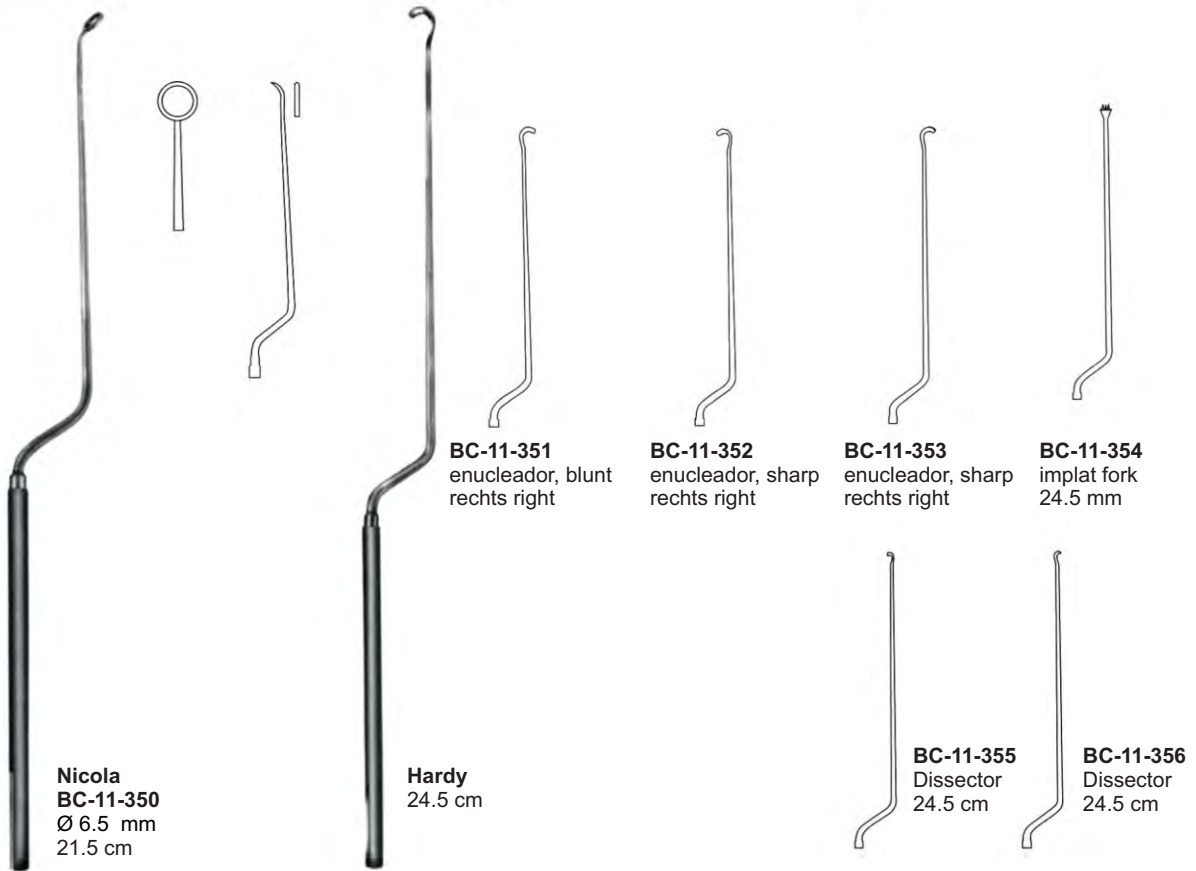
Horizontal **BC-11-345**
Vertical **BC-11-346**

Ray
Ø 4 mm
18 cm

Ø mm
4 **BC-11-347**
6 **BC-11-348**

Hardy
26 cm

Nicola
BC-11-349
Ø 6.5 mm
21.5 cm



Nicola
BC-11-350
Ø 6.5 mm
21.5 cm

Hardy
24.5 cm

BC-11-351
enucleador, blunt
rechts right

BC-11-352
enucleador, sharp
rechts right

BC-11-353
enucleador, sharp
rechts right

BC-11-354
implat fork
24.5 mm

BC-11-355
Dissector
24.5 cm

BC-11-356
Dissector
24.5 cm

Hardy Fahlbusch



3 **BC-11-357**
 5 **BC-11-358**
 Ø mm
Hardy
 24 cm
 angled up



3 **BC-11-359**
 5 **BC-11-360**
 Ø mm
Hardy
 24 cm
 angled down



Hardy
 24.5 cm
 tip width



Landolt
BC-11-361
 26 cm
 malleable



Landolt
BC-11-362
 26 cm
 malleable



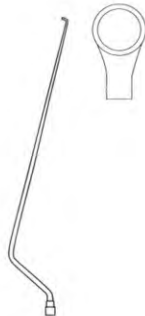
Landolt
BC-11-363
 26 cm
 malleable



Landolt
BC-11-364
 26 cm
 malleable



Hosobuchi
BC-11-365
 26 cm
 malleable



Fahlbusch
BC-11-366
 26 cm
 Ø 2.5 mm



Landolt Reulen
BC-11-367
 Ø 2.2 mm
BC-11-368
 26 cm
 Ø 3.2 mm



BC-11-369
 Ø 2.5 mm



BC-11-370
 2 mm



BC-11-371
 1.7 mm



45°

3 BC-11-372
5 BC-11-373
Ø mm

Hardy
24 cm
right



90°

3 BC-11-374
5 BC-11-375
Ø mm

Hardy
24 cm
left



Left BC-11-376
Right BC-11-377

Hardy
24 cm
Ø 5 mm



Hardy
BC-11-378
23.5 cm
bayonet
malleable



BC-11-379
21 cm
bayonet



23 cm
curved



BC-11-380



BC-11-381



BC-11-382



BC-11-383



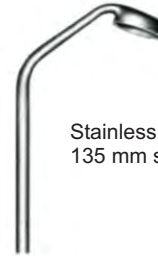
4.5 mm



Stainless Steel
 135 mm sharp, left **BC-11-384**

Loyo
 Curette
 26 cm

4.5 mm



Stainless Steel
 135 mm sharp, right **BC-11-385**

Loyo
 Curette
 26 cm

5 mm



Stainless Steel
 135 mm upward, sharp **BC-11-386**

Loyo
 Curette
 26 cm

4 mm



Stainless Steel
 135 mm angled, sharp **BC-11-387**

Loyo
 micro Curette
 26 cm

5 mm



Stainless Steel
 135 mm angled, sharp **BC-11-388**

Loyo
 Curette
 26 cm

4.5 mm

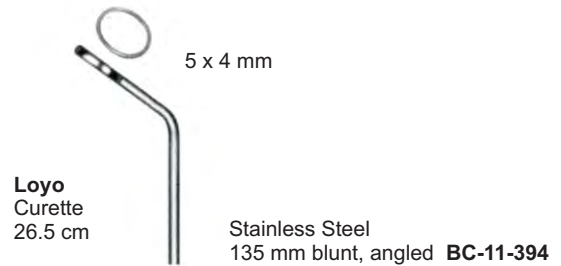


Stainless Steel
 135 mm sharp, left **BC-11-390**

Loyo
 Curette
 26 cm

Stainless Steel
 135 mm sharp, right **BC-11-389**

Loyo
 Curette
 26 cm





Loyo
micro chisel



for sella turcica

Stainless Steel
BC-11-396

Loyo
26 cm
pituitary dissector



135 mm right

Stainless Steel
BC-11-397

Loyo
26 cm
pituitary dissector



135 mm

Stainless Steel
BC-11-398

Loyo
26 cm
pituitary dissector



135 mm

Stainless Steel
BC-11-399

Loyo
26 cm
pituitary hook



135 mm

Stainless Steel
BC-11-400

Loyo
26 cm
pituitary elevator



135 mm left

Stainless Steel
BC-11-401

Loyo
26 cm
pituitary elevator



135 mm right

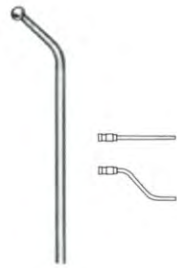
Stainless Steel
BC-11-402

Loyo
pituitary mirror



125 mm

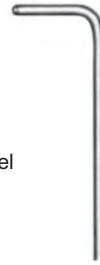
Stainless Steel
BC-11-403



Loyo



cm
20
22
Stainless Steel
BC-11-404
BC-11-405



Loyo



cm
20
22
Stainless Steel
BC-11-406
BC-11-407



Loyo



cm
20
22
Stainless Steel
BC-11-408
BC-11-409



Loyo



cm
20
22
Stainless Steel
BC-11-410
BC-11-411



Loyo



cm
20
22
Stainless Steel
BC-11-412
BC-11-413



Loyo



cm
20
22
Stainless Steel
BC-11-414
BC-11-415



Loyo



cm
20
22
Stainless Steel
BC-11-416
BC-11-417



Loyo



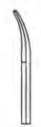
cm
20
22
Stainless Steel
BC-11-418
BC-11-419



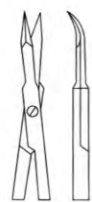
cm
 16
 18
 20
 22.5
 24



BC-11-420
BC-11-422
BC-11-424
BC-11-426
BC-11-428



BC-11-421
BC-11-423
BC-11-425
BC-11-427
BC-11-429



cm
 16
 18
 20
 22.5
 24

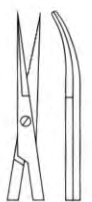


BC-11-430
BC-11-432
BC-11-434
BC-11-436
BC-11-438



BC-11-431
BC-11-433
BC-11-435
BC-11-437
BC-11-439

Vannas blade



cm
 16
 18
 20
 22.5
 24

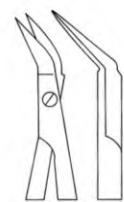


BC-11-440
BC-11-442
BC-11-444
BC-11-446
BC-11-448



BC-11-441
BC-11-443
BC-11-445
BC-11-447
BC-11-449

Saw edge



cm
 16
 18
 20
 22.5
 24

BC-11-450
BC-11-451
BC-11-452
BC-11-453
BC-11-454

Vannas blade angled over the blade

Micro-Scissors



cm
16
18
20
22.5
24

BC-11-455
BC-11-457
BC-11-459
BC-11-461
BC-11-463



BC-11-456
BC-11-458
BC-11-460
BC-11-462
BC-11-464



cm
16
18
20
22.5
24

BC-11-465
BC-11-467
BC-11-469
BC-11-471
BC-11-473



BC-11-466
BC-11-468
BC-11-470
BC-11-472
BC-11-474

Vannas blade



Micro-Scissors



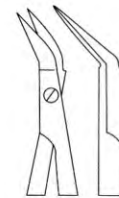
cm
16
18
20
22.5
24

BC-11-475
BC-11-477
BC-11-479
BC-11-481
BC-11-483



BC-11-476
BC-11-478
BC-11-480
BC-11-482
BC-11-484

Saw edge



cm
16
18
20
22.5
24

BC-11-485
BC-11-486
BC-11-487
BC-11-488
BC-11-489

Vannas blade
angled over the
blade

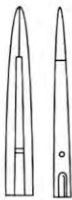


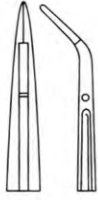



125°
angled blade

cm
16
18
20
22.5
24


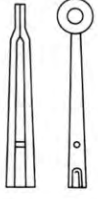
BC-11-490
BC-11-491
BC-11-492
BC-11-493
BC-11-494



	cm								
	16					BC-11-495	BC-11-496	cm	BC-11-505
	18					BC-11-497	BC-11-498	16	BC-11-506
	20					BC-11-499	BC-11-500	18	BC-11-507
	22.5					BC-11-501	BC-11-502	20	BC-11-508
24	BC-11-503	BC-11-504	22.5	BC-11-509					
				Angled					

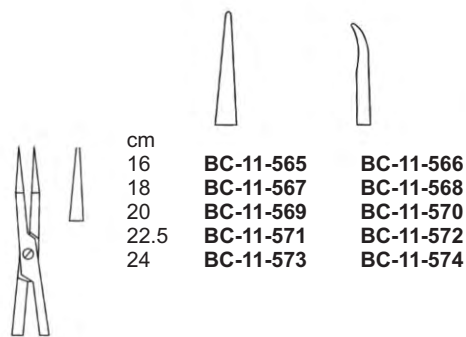
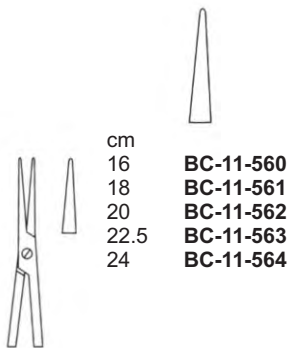
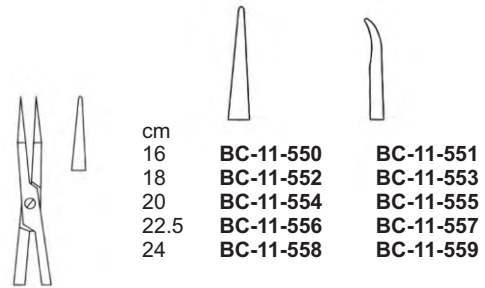
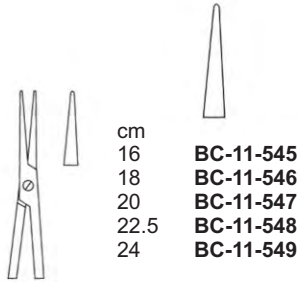


Micro forceps

	cm				
	16		BC-11-510	cm	BC-11-515
	18		BC-11-511	16	BC-11-516
	20		BC-11-512	18	BC-11-517
	22.5		BC-11-513	20	BC-11-518
24	BC-11-514	22.5	BC-11-519		
4 x 2 teeth		Tumor grasping			



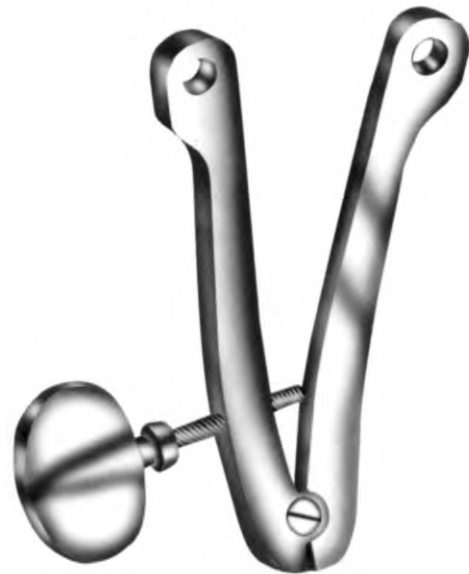
Micro needle holder
BCthout ratchet



Micro needle holder
without ratchet



Caspar
BC-11-575
 complete
BC-11-576
 Only 12 cm
 opening 12 cm



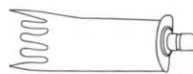
Caspar
BC-11-577
 complete 2 x 5 blades



Caspar
BC-11-578
 complete
BC-11-579
 without blades



Caspar
 Mm
 45 x 23
 50 x 23
 55 x 23
 60 x 23
 65 x 23



Caspar
 mm
 40 x 23
 45 x 23
 50 x 23
 55 x 23
 60 x 23



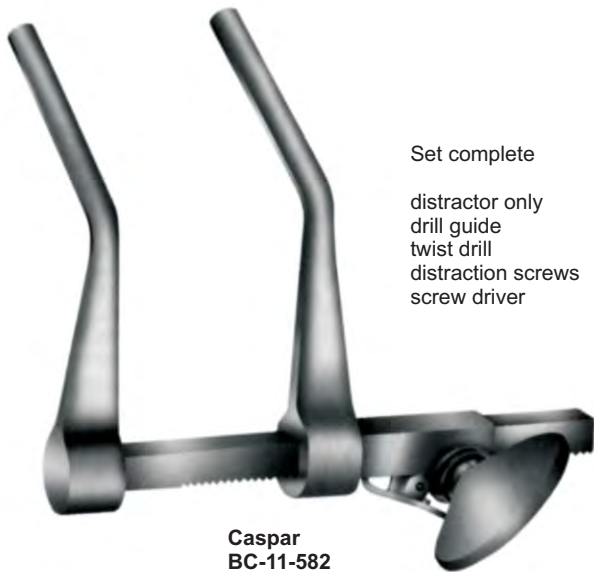
mm
 45 x 20
 50 x 20
 55 x 20
 60 x 20
 65 x 20



Caspar
BC-11-580
 complete
BC-11-581
 without blades

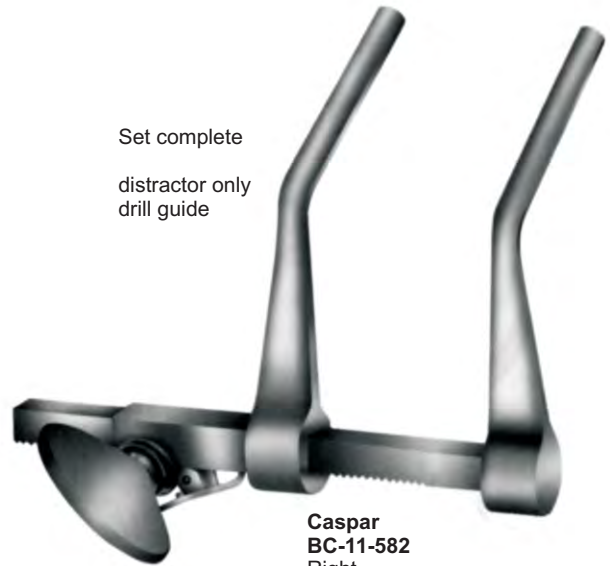


Caspar
 mm
 40 x 23
 45 x 23
 50 x 23
 55 x 23
 60 x 23



**Caspar
BC-11-582
Left**

Set complete
distractor only
drill guide
twist drill
distraction screws
screw driver

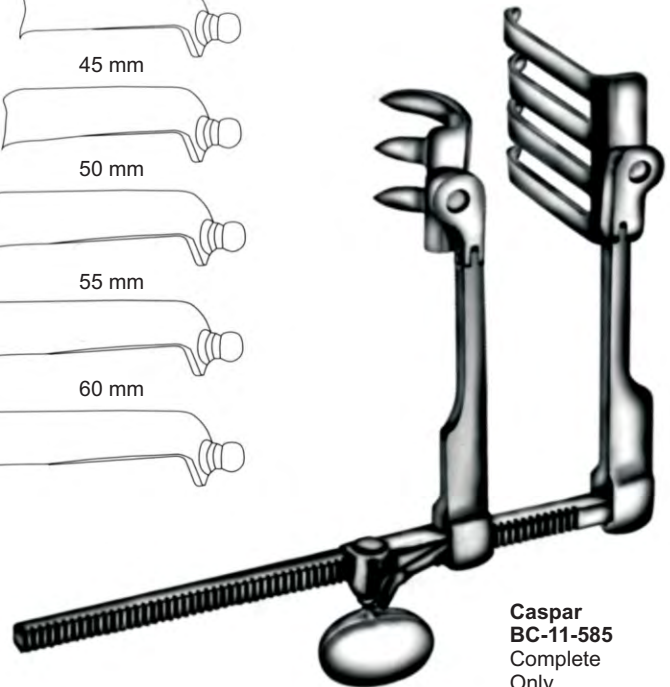
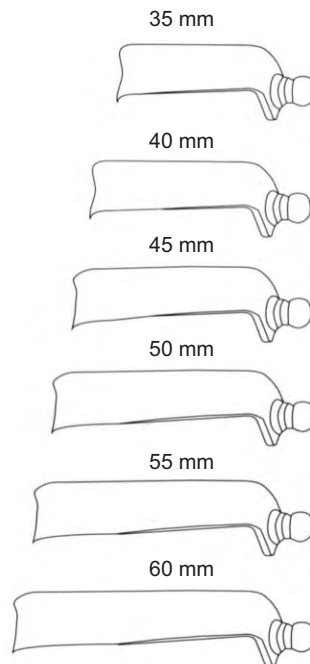


**Caspar
BC-11-582
Right**

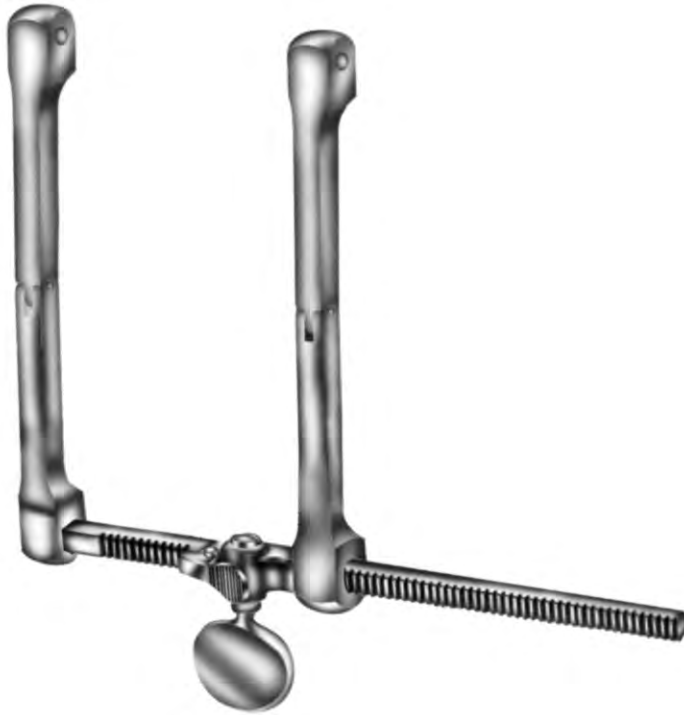
Set complete
distractor only
drill guide



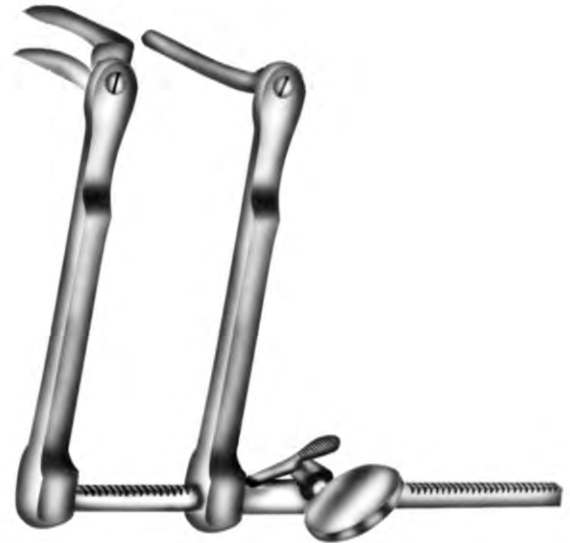
**Caspar
BC-11-584
Complete
Only**



**Caspar
BC-11-585
Complete
Only**



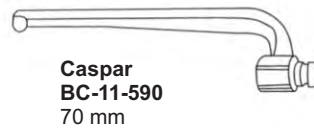
Scoville Haverfield
BC-11-586
 Only frame



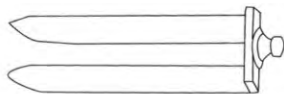
Caspar
BC-11-587
 complete
BC-11-588
 Only frame



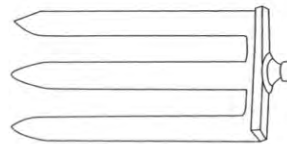
Caspar
BC-11-589
 50 mm



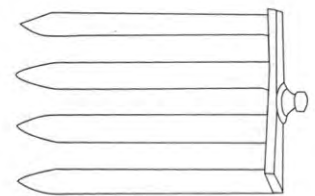
Caspar
BC-11-590
 70 mm



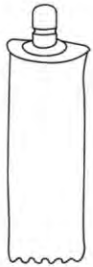
Caspar
 35 mm x 22
 40 mm x 22
 45 mm x 22
 50 mm x 22
 55 mm x 22
 60 mm x 22
 65 mm x 22
 70 mm x 22



Caspar
 35 mm x 37
 40 mm x 37
 45 mm x 37
 50 mm x 37
 55 mm x 37
 60 mm x 37
 65 mm x 37
 70 mm x 37

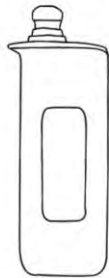


Caspar
 35 mm x 52
 40 mm x 52
 45 mm x 52
 50 mm x 52
 55 mm x 52
 60 mm x 52
 65 mm x 52
 70 mm x 52



**Caspar
BC-11-592**

mm
40 x 20
45 x 20
50 x 20
55 x 20
60 x 20



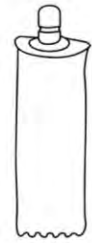
**Caspar
BC-11-593**

mm
50 x 25
60 x 25



**Caspar
BC-11-594**

mm
40 x 25
45 x 25
50 x 25
55 x 25
60 x 25



**Caspar
BC-11-595**

mm
40 x 25
45 x 25
50 x 25
55 x 25
60 x 25



**Scoville
BC-11-591**
only frame
opening 15 cm



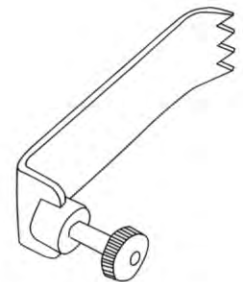
**Scoville
BC-11-596**

mm
50
70



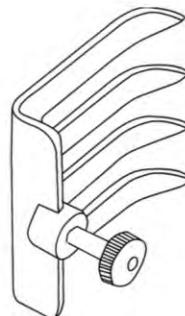
**Scoville
BC-11-597**

mm
50
70



**Scoville
BC-11-598**

mm
64 x 25
64 x 50
88 x 25



**Taylor
BC-11-599**

mm
48 x 50
64 x 50
64 x 64
80 x 57



**Scoville
BC-11-600**

mm
41 x 38
67 x 44



**WELMED Instrument Company
Defence Road, Near Wapda Grid Station
Sialkot 51310, Pakistan.**

Phone : +92 52 3554782, 3558704

Fax : +92 52 3550296

📞 Mobile : +92 333 8680640

Email : welmedpk@gmail.com

info@welmedinst.com

wmm@brain.net.pk

welmed@cyber.net.pk

Website : www.welmedinst.com