



Serving Humanity Since 1908

WELMED
INSTRUMENTS CO.

**Cardiovascular Catalogue
Group 16**



Manufacturers & Exporters of Quality Surgical Instruments

Cardiovascular Surgery Instruments



Surgical Instruments Cardiovascular 16

WELMED Instruments Company
Defence Road
Near Wapda Grid Colony
Sialkot 51310, Pakistan.

Phone : +92 52 3554782, 3558704
Fax : +92 52 3550296
Cell : +92 333 8680640

Email : info@welmedinst.com
welmedpk@gmail.com
wmm@brain.net.pk
welmed@cyber.net.pk

Website : www.welmedinst.com

About Us

Quality begins at **WELMED** Instruments Company where master craftsmen forge and manufacture each instrument to its exact specifications and measurements. Instruments must undergo a series of quality control inspections in order to be worthy of **WELMED** name and warranty. We offer a wide selection of medical instruments including Surgical and Dental instruments.

We have acquired a unique and unmatched understanding of manufacturing through a large experience, working since 1908. Years of experience & state of the art manufacturing facilities helped us to keep our prices low. Our Surgical & Dental instruments are created by expert craftsmen, providing unfaltering quality you can rely on.

We have launched a fully interactive website where you can get online and track your orders 24 hours a day, 7 days in a week, and 365 days a year. Ask for our free e-catalogue on CD-Rom to save time and enjoy hassle free ordering.

We provide our customers with most reliable customer service as your satisfaction is our top priority. Our customers always enjoy our wonderful customer service and quality tools at the best price.

Lastly we invite you to have a work experience with **WELMED** Instruments Company and we will prove ourselves as one of the most valuable source you have.

You can find us at

WELMED Instruments Company
Defence Road, Near Wapda Grid Colony
Sialkot 51310, Pakistan.

Phone : +92 52 3554782, 3558704
Fax : +92 52 3550296
Cell : +92 333 8680640

Emails :
Info@welmedinst.com
welmedpk@gmail.com
wmm@brain.net.pk
welmed@cyber.net.pk

Website : www.welmedinst.com



History

WELMED Instruments Company was founded in 1995. Our Great Grandfather **Mian Muhammad Fazal Elahi** was the founder of M/s M.F. Elahi & Company (E.P.) Pvt. Ltd, established in 1908. WELMED is a sister concern of M.F. Elahi & Co. It is our pride to be a member of M.F. Elahi Family.

WELMED Instruments Company is located in the heart of beautiful city, Sialkot, Pakistan. We are manufacturers and exporters of quality Surgical, Dental instruments and Scissors of all sorts in various categories. We are closely attached with highly skilled surgeons and other technicians of the surgical industry to make the new instruments development possible.

WELMED is in a continues process of development and testing of new instruments for their precision and perfect functioning. We are also working at imported forging supply by foreign customers.

Certificates

Welmed Instruments Company has achieved the certificates for ISO-9001, ISO-13485, cGMP (FDA) and CE Marking.

Quality Control

All material use in the manufacturing of our instruments are tested from relevant laboratories. Our continuous quality control is our best warranty so that you built confidence in our products.

Deliveries

Deliveries are quick and in-time.

Mode Of Payment

Terms of Payment is ADVANCE or LETTER OF CREDIT (Irrevocable)

CardioVascular 16



WELMED
INSTRUMENTS CO.

Adson	69	Lambert-Kay	46
Adson-brown	69	Lambotte	19
Alexander-farabeuf	19	Lebsche	2
Alllison	14	Lees	49
Arteria	64, 65	Leland-Jones	31
Atraumatic Tissue Forcep	76	Lovelace	16
Baby-Satinsky	61	Matson	19
Bailey	13, 35	Mc Indoe	68
Bailey-Baby	13	Mercedes	22
Bailey-Gibbon	13	Morse	7
Bonney	68	Morse-Favaloro	7
Brunner	2	Ochsner	36
Burford- Finochietto	20 ,21	Oehler	70
Calne	47	Potts-Smith	70
Castaneda	5	Price-Thomas	15, 62
Chevalier	22	Rib Shears	1
Cooley	03, 23, 24, 52-55, 57-59 ,66	Sarot	62
Cooley-Beck	57	Sauerbruch	2
Cooley-Derra	56	Sellors	13
Cooley-Reynolds	56	Semb	15, 18
Crafoord	61	Semi Flexible Vascular	60
Cushing	69	Semken	68
Cushing-Taylor	69	Subramanian	34
Dale	32	Thoracic Retractors	12
Dardik	51	Tuffier	8
De Bakey	25-34, 36, 38, 41-44, 48, 50, 67, 71, 73	Vena	64, 65
De Bakey-Garrett	24	Wangesteen	71
De Bakey-Bahnson	42	Weber	45
De Bakey-Bainbridge	27	Wylie	46
De Bakey-Beck	34, 41, 47		
De Bakey-Crafoord	43		
De Bakey-Derra	39		
De Bakey-Diethrich	63		
De Bakey-Harken	48		
De Bakey-Morris	37		
De Bakey-Pean	26		
De Bakey-Potts	28		
De Bakey-Reynolds	39		
De Bakey-Satinsky	38		
De Bakey	10, 11		
Diethrich	63		
Diethrich	36		
Doyen	17		
Finochietto (Modif)	6		
Finochietto	4, 9, 21, 61		
Finochietto, Baby	4, 8, 21		
Finochietto, infant	4		
Gerald	68		
Gilllies	68		
Glertz-Stille	2		
Glover	40		
Gluck	1		
Gregory	31		
Haight	6		
Jaboma	72		
Javid	34, 66		



BC-16-101
23 cm
Bone Shears
Cizallas para hueso
Cisailles a os



BC-16-102
23 cm



Gluck
BC-16-103
21 cm

Drawing cut
corte oblicuo
lame qlissante



Sauerbruch
BC-16-104
26 cm



Giertz-Stille
BC-16-105
24.5 cm



Brunner
BC-16-106
32 cm
for right hand
para la mano derecha
pour la main droite

BC-16-107
32 cm
for left hand
para la mano izquierda
pour la main gauche



Lebsche
BC-16-108
24.5 cm



Cooley
BC-16-109
For babies
para recién nacidos
pour nourissons

Lateral blades hojas laterales valves laterales 12 x 16 mm	Spreading abertura ouverture 95 mm
---	---



Cooley
BC-16-110
BC-16-111
For Children
para niños
pour enfants

Lateral blades hojas laterales valves laterales 15 x 30 mm 21 x 44 mm	Spreading abertura ouverture 140 mm 150 mm
---	--



Cooley
BC-16-112
For adults
para adultos
pour adultes

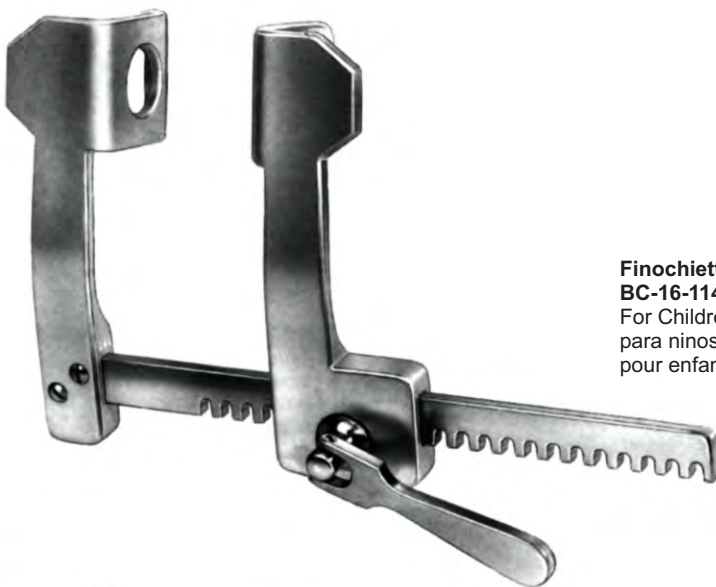
Lateral blades hojas laterales valves laterales 35 x 50 mm	Spreading abertura ouverture 200 mm
---	--



**Finochietto, Infant
BC-16-113**
For babies
para recién nacidos
pour nourissons

Lateral blades
hojas laterales
valves laterales
15 x 15 mm

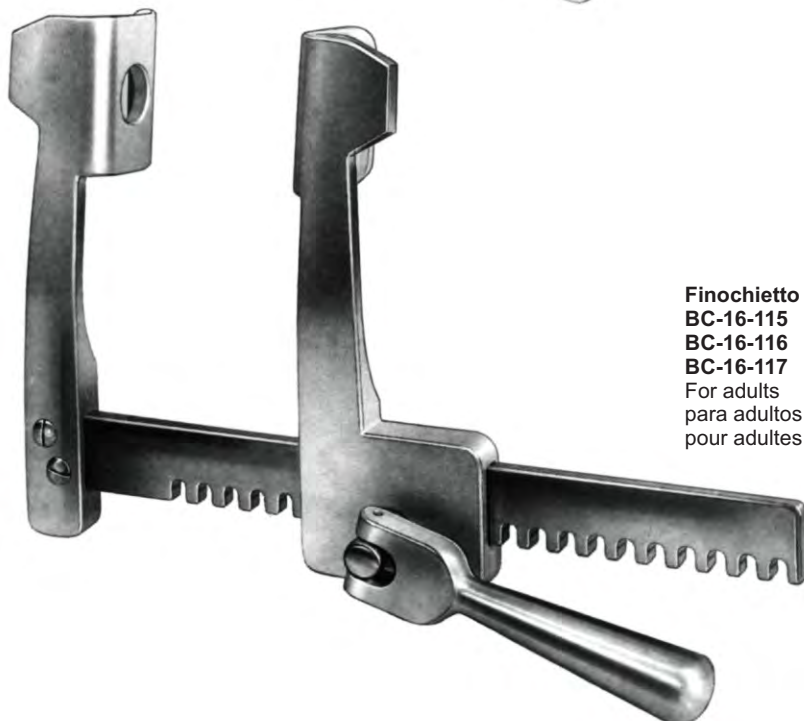
Spreading
abertura
ouverture
75 mm



**Finochietto, Baby
BC-16-114**
For Children
para niños
pour enfants

Lateral blades
hojas laterales
valves laterales
31 x 31 mm

Spreading
abertura
ouverture
100 mm



**Finochietto
BC-16-115
BC-16-116
BC-16-117**
For adults
para adultos
pour adultes

Lateral blades
hojas laterales
valves laterales
40 x 45 mm
52 x 62 mm
85 x 65 mm

Spreading
abertura
ouverture
135 mm
175 mm
175 mm



**Castaneda
BC-16-118**
For babies
para recién nacidos
pour nourissons

Lateral blades
hojas laterales
valves laterales
10.5 x 32 mm

Spreading
abertura
ouverture
65 mm



**Castaneda
BC-16-119**
For infants
para bebés
pour petits enfants

Lateral blades
hojas laterales
valves laterales
12 x 45 mm

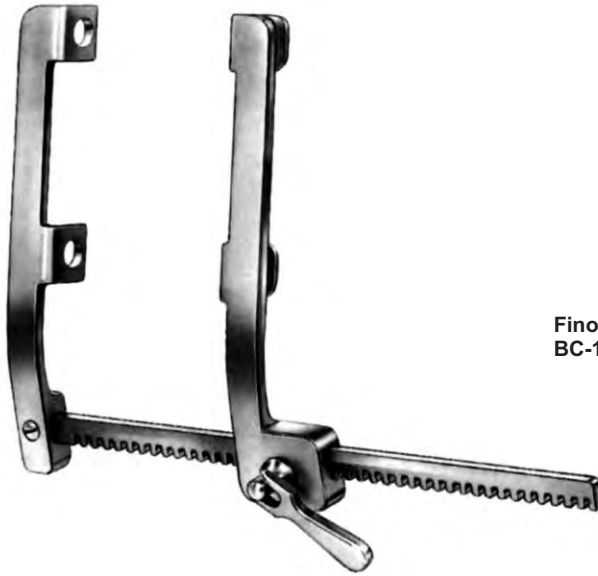
Spreading
abertura
ouverture
70 mm



**Castaneda
BC-16-120**
For infants
para bebés
pour petits enfants

Lateral blades
hojas laterales
valves laterales
15 x 60 mm

Spreading
abertura
ouverture
120 mm



**Finochietto (modif.)
BC-16-121**

Lateral blades
hojas laterales
valves laterales
14 x 15 mm

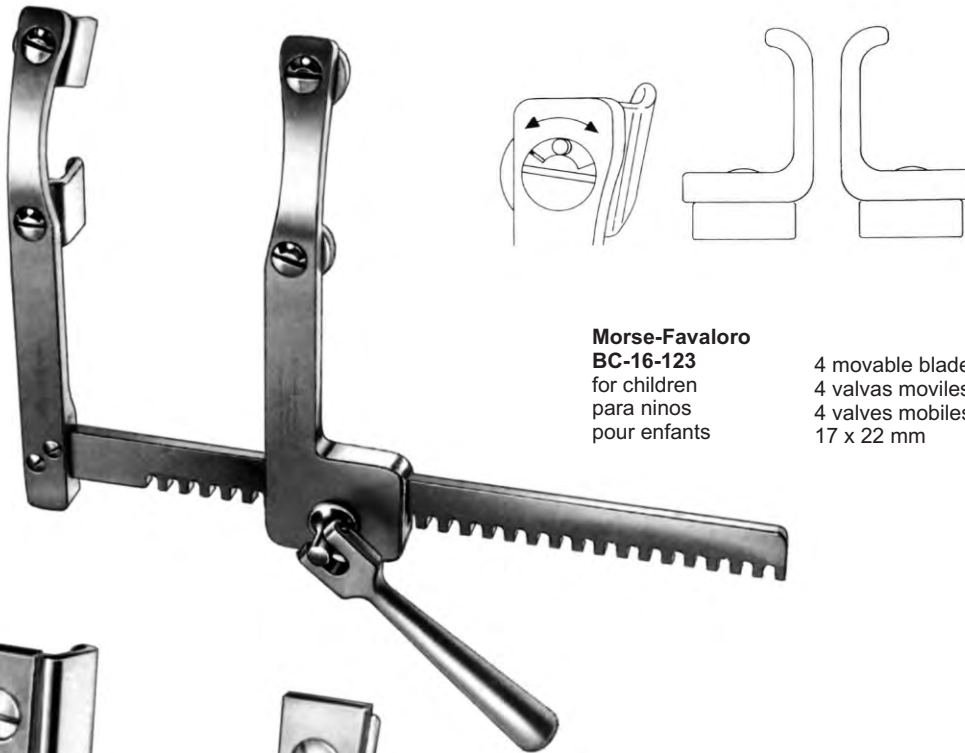
Spreading
abertura
ouverture
120 mm



**Haight
BC-16-122**

Lateral blades
hojas laterales
valves laterales
30 x 30 mm

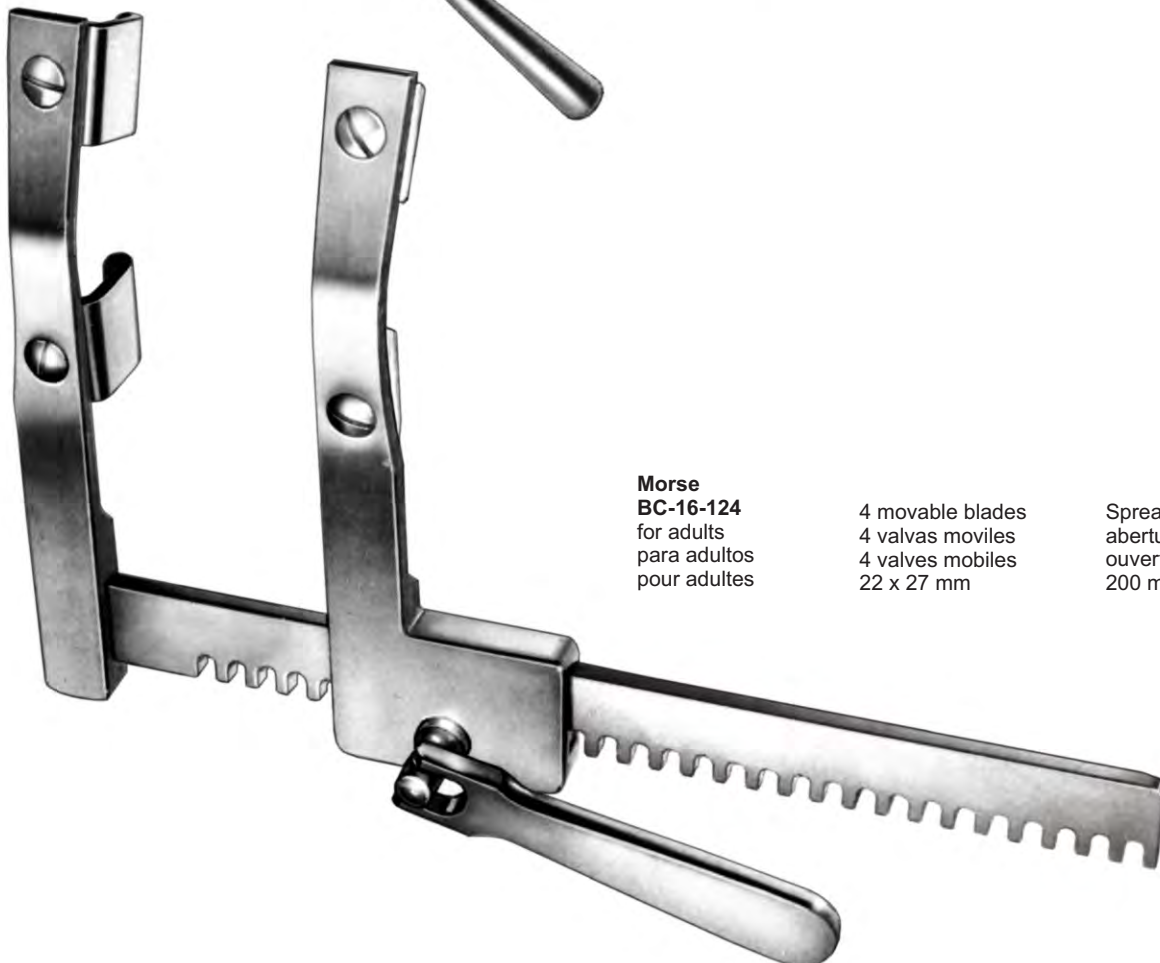
Spreading
abertura
ouverture
120 mm



Morse-Favaloro
BC-16-123
for children
para niños
pour enfants

4 movable blades
4 valvas móviles
4 valves mobiles
17 x 22 mm

Spreading
abertura
ouverture
160 mm



Morse
BC-16-124
for adults
para adultos
pour adultes

4 movable blades
4 valvas móviles
4 valves mobiles
22 x 27 mm

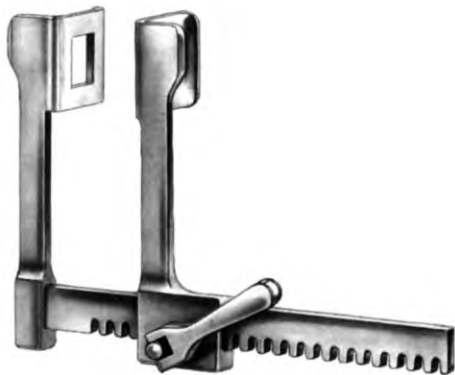
Spreading
abertura
ouverture
200 mm



Tuffier
BC-16-125

Lateral blades
hojas laterales
valves laterales
45 x 45 mm

Spreading
abertura
ouverture
160 mm



Finochietto, Baby
BC-16-126

Lateral blades
hojas laterales
valves laterales
14 x 15 mm

Spreading
abertura
ouverture
75 mm



Finochietto

BC-16-127
BC-16-127A
BC-16-127B

Lateral blades
hojas laterales
valves laterales
30 x 45 mm
46 x 62 mm
80 x 65 mm

Spreading
abertura
ouverture
150 mm
190 mm
190 mm



DeBakey
BC-16-128
Retractor only
Separadore suelto
Ecarteurs seul

BC-16-129
With 3 pairs of blades
con 3 pares de valvas
avec 3 paires de valves

spreading
abertura
ouverture
200 mm



Fig. 1



Fig. 2



Fig. 3

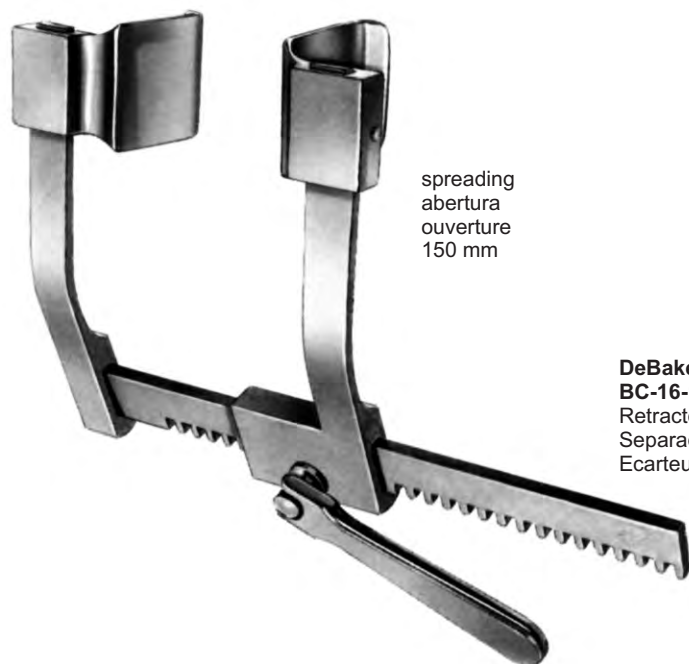


Fig. 4



Fig. 5

BC-16-130 = Fig. 1 60 x 60 mm
BC-16-131 = Fig. 2 50 x 80 mm
BC-16-132 = Fig. 3 40 x 100 mm
BC-16-133 = Fig. 4 80 x 60 mm
BC-16-134 = Fig. 6 50 x 66 mm



spreading
 abertura
 ouverture
 150 mm

With 3 pairs of blades
 con 3 pares de valvas
 avec 3 paires de valves
BC-16-136

DeBaKey
BC-16-135
 Retractors only
 Separadores suelto
 Ecarteurs seul

Fig. 1



Fig. 2



Fig. 3



Lateral blades
Valvas Laterales
Valves Laterales
BC-16-137 = Fig. 1 30 x 30 mm
BC-16-138 = Fig. 2 40 x 40 mm
BC-16-139 = Fig. 3 50 x 50 mm



(Mercedes Retractor)
(Retractor Mercedes)
(Ecarteur Mercedes)
BC-16-140

With 1 pair of blades each
con 1 par de valvas de c.u
avec chaqun 1 paire de valves
BC-16-142 - BC-16-143

Retractor only
Separador suelto
Valves laterales
BC-16-141

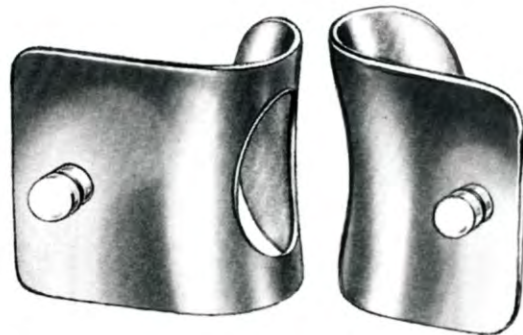


Fig. 1



Fig.2

Lateral Blades pair
Valvas Laterales par
Valves Laterales paire
BC-16-142 = Fig.1 48 x 68 mm
BC-16-143 = Fig. 2 70 x 75 mm



Sellers
BC-16-144
20 cm



Bailey-Baby
BC-16-145
15.5 cm



Bailey
BC-16-146
20 cm
short claws
garras cortas
bras courts



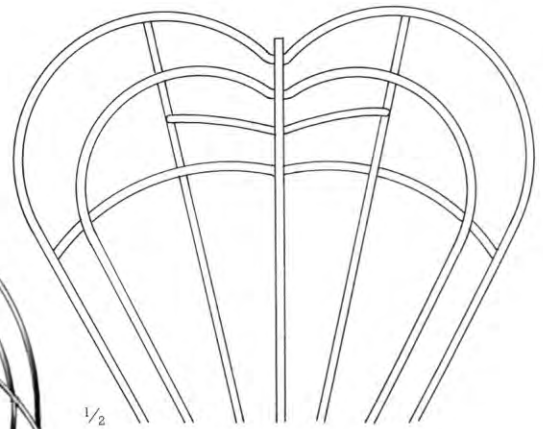
Bailey-Gibbon
BC-16-147
20 cm
long claws
garras largas
bras longs



BC-16-148
29.5 cm

BC-16-149
32.5 cm

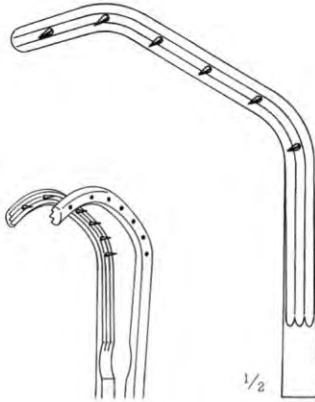
Allison



BC-16-150
26 cm



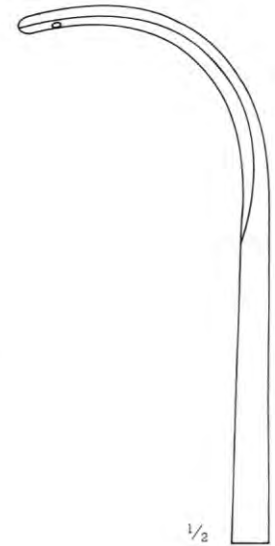
BC-16-151
 22 cm



BC-16-152
 22 cm



BC-16-154
 24.5 cm



BC-16-155
 24 cm



BC-16-153
 22 cm



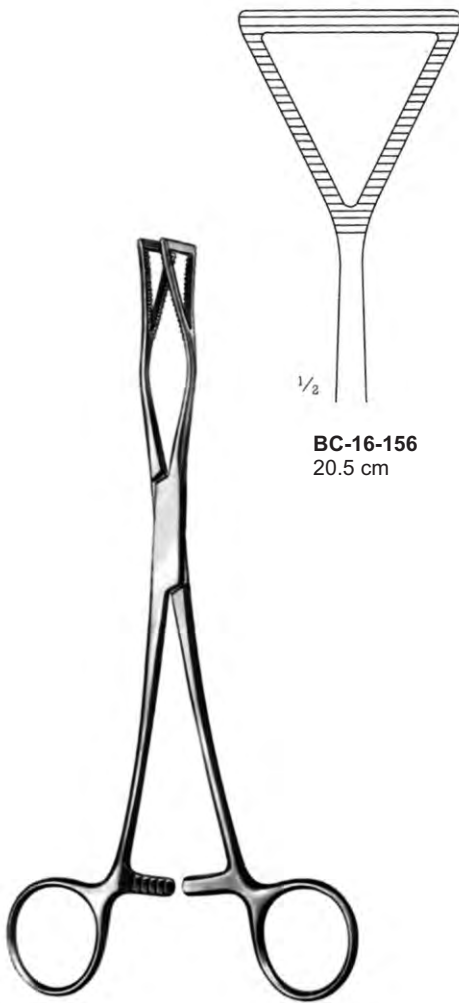
Price-Thomas



Price-Thomas

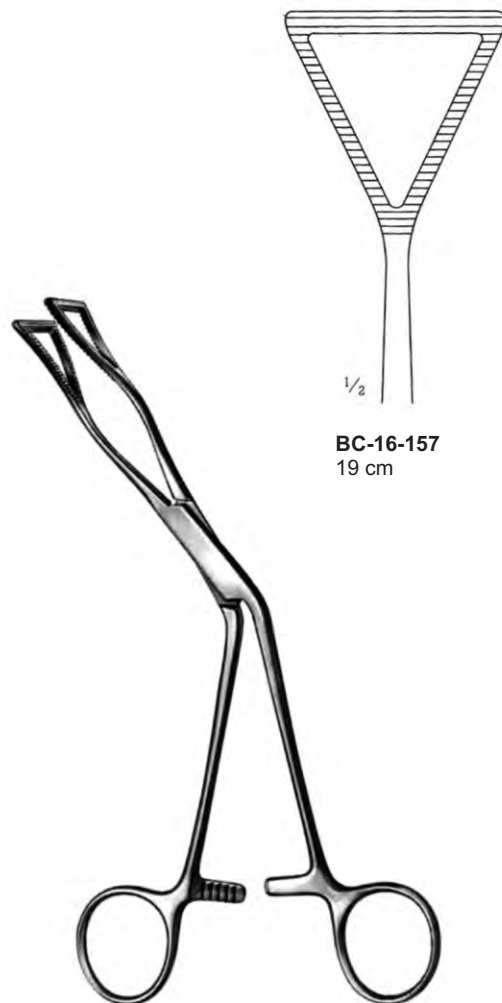


Semb



BC-16-156
20.5 cm

Lovelace



BC-16-157
19 cm

Lovelace
Laterally curved
Lateralmente curva
courbe lateralement



**Doyen
BC-16-158**
15.5 cm
for children, right
para ninos, derecha
pour enfants, a droite



**Doyen
BC-16-159**
15.5 cm
for children, left
para ninos, izquierda
pour enfants, a gauche



**Doyen
BC-16-160**
18 cm
for children, right
para ninos, derecha
pour enfants, a droite



**Doyen
BC-16-161**
15.5 cm
for children, left
para ninos, izquierda
pour enfants, a gauche



**Doyen
BC-16-162**
17 cm
for adults, right
para adultos, derecha
pour adultes, a droite



**Doyen
BC-16-163**
17 cm
for adults, left
para adultos, izquierda
pour adultes, a gauche





Lambotte
 21 cm



BC-16-169
 5 mm



BC-16-170
 10 mm



BC-16-171
 15 mm



BC-16-172
 20 mm



BC-16-173
 25 mm



Matson
BC-16-174
 22 mm / 8³/₄"



15 mm



Alexander-Farabeuf
BC-16-175
 15 cm / 6"



10 mm



14 mm

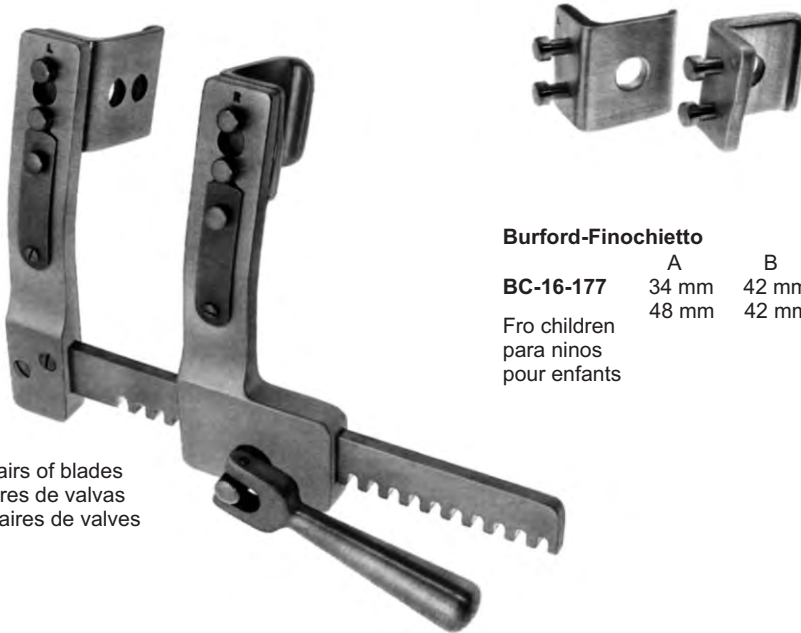


12 mm

Alexander-Farabeuf
BC-16-176
 21 mm / 8¹/₄"



24 mm

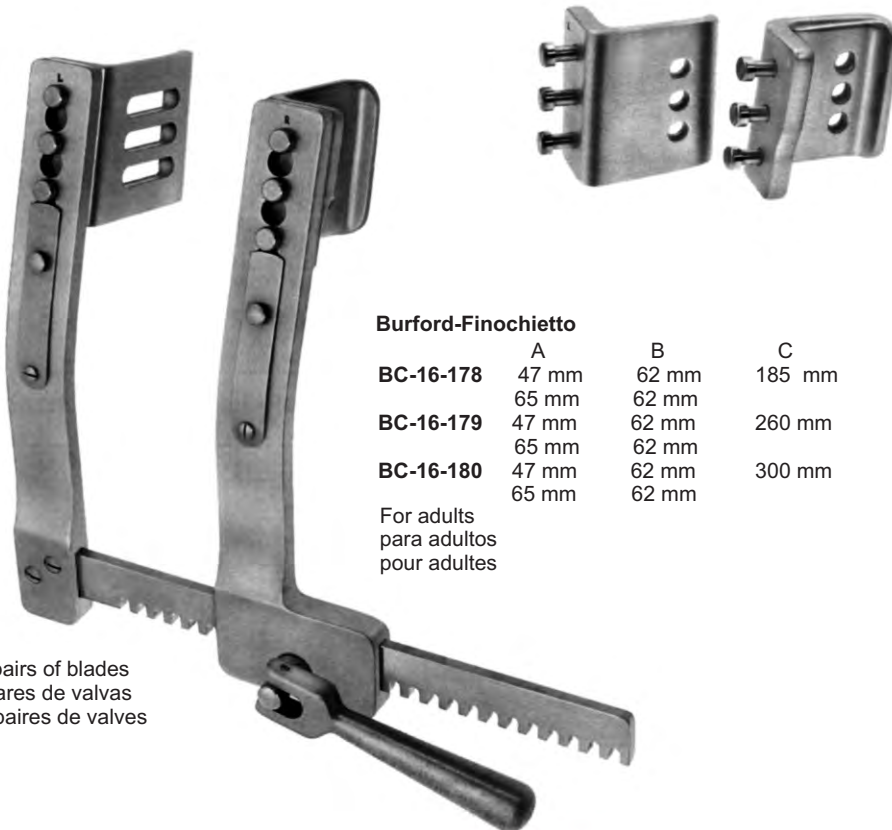


Burford-Finochietto

	A	B	C
BC-16-177	34 mm 48 mm	42 mm 42 mm	145 mm

For children
para niños
pour enfants

With 2 pairs of blades
con 2 pares de valvas
avec 2 paires de valves



Burford-Finochietto

	A	B	C
BC-16-178	47 mm 65 mm	62 mm 62 mm	185 mm
BC-16-179	47 mm 65 mm	62 mm 62 mm	260 mm
BC-16-180	47 mm 65 mm	62 mm 62 mm	300 mm

For adults
para adultos
pour adultes

With 2 pairs of blades
con 2 pares de valvas
avec 2 paires de valves



Finochietto-Baby
BC-16-181

Fro babies
 para bebes
 pour bebes

A
 19 mm

B
 20 mm

C
 85 mm



Finochietto

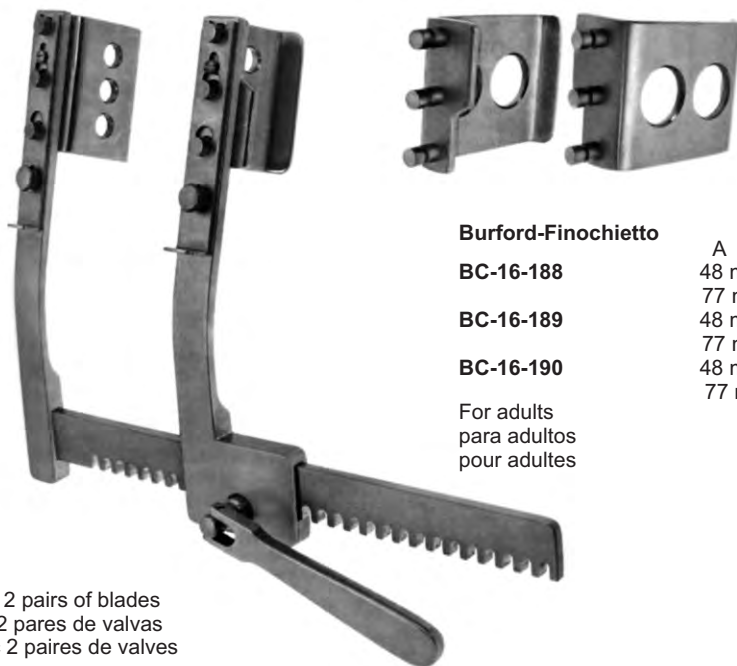
- BC-16-182**
- BC-16-183**
- BC-16-184**
- BC-16-185**
- BC-16-186**
- BC-16-187**

For adults
 para adultos
 pour adultes

A
 39 mm
 50 mm
 50 mm
 68 mm
 68 mm
 68 mm

B
 45 mm
 66 mm
 66 mm
 66 mm
 66 mm
 66 mm

C
 140 mm
 200 mm
 250 mm
 200 mm
 250 mm
 300 mm



Burford-Finochietto

- BC-16-188**
- BC-16-189**
- BC-16-190**

For adults
 para adultos
 pour adultes

A
 48 mm
 77 mm
 48 mm
 77 mm
 48 mm
 77 mm

B
 64 mm
 64 mm
 64 mm
 64 mm
 64 mm
 64 mm

C
 210 mm
 260 mm
 300 mm

With 2 pairs of blades
 con 2 pares de valvas
 avec 2 paires de valves

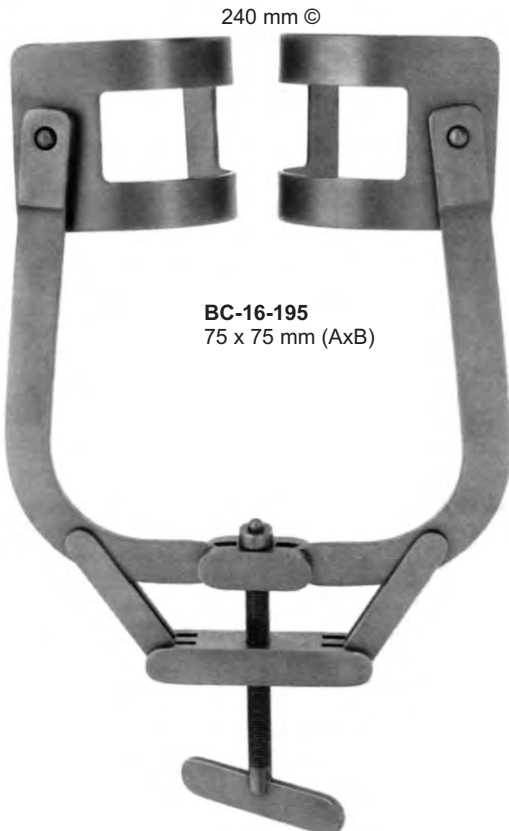


Chevalier
BC-16-191
Rib Spreaders
Separador costal
Ecarteur a cotes

A
27 mm

B
100 mm

C
190 mm



BC-16-195
75 x 75 mm (AxB)

240 mm ©



BC-16-194
48 x 65 mm (AxB)

Mercedes
BC-16-192

Thoracic retractor, complete, consisting of:

- BC-16-193** 1 Spreader
- BC-16-194** 2 Lateral blades 48 x 65 mm (AxB)
- BC-16-195** 2 Lateral blades 75 x 75 mm (AxB)

Separador toracico, completo, compuesto de:

- BC-16-193** 1 Separador
- BC-16-194** 2 Valvas Laterales 48 x 65 mm (AxB)
- BC-16-195** 2 Valvas Laterales 75 x 75 mm (AxB)

Ecarteur thoracique, complet, compose de:

- BC-16-193** 1 Ecarteur
- BC-16-194** 2 Valvas Laterales 48 x 65 mm (AxB)
- BC-16-195** 2 Valvas Laterales 75 x 75 mm (AxB)



45 x 48 mm (AxB)

Cooley
BC-16-196
25 cm / 10"
right
derecho
droite



45 x 48 mm (AxB)

Cooley
BC-16-197
25 cm / 10"
right, serrated
derecho, estriado
droite, cannelé



24 x 48 mm (AxB)

Cooley
BC-16-198
27.5 cm / 10¾"
left
izquierdo
gauche



Cooley
13 cm / 5 1/8"

BC-16-199
0.5 mm Ø

BC-16-200
1.0 mm Ø

BC-16-201
1.5 mm Ø

BC-16-202
2.0 mm Ø

BC-16-203
2.5 mm Ø

BC-16-204
3.0 mm Ø

BC-16-205
4.0 mm Ø

BC-16-206
5.0 mm Ø

Malleable
maleable
malleables



**De Bakey
(Garrett)**
19 cm / 7 1/2"

BC-16-207
0.5 mm Ø

BC-16-208
1.0 mm Ø

BC-16-209
1.5 mm Ø

BC-16-210
2.0 mm Ø

BC-16-211
2.5 mm Ø

BC-16-212
3.0 mm Ø

BC-16-213
3.5 mm Ø

BC-16-214
4.0 mm Ø

BC-16-215
4.5 mm Ø

BC-16-216
5.0 mm Ø

BC-16-217
7.0 mm Ø

BC-16-218
9.0 mm Ø

Malleable
maleable
malleables



**De Bakey
BC-16-219**
13 cm / 5 1/8"



**De Bakey
BC-16-220**
12.5 cm / 5"



**De Bakey
BC-16-221**
10 cm / 4"



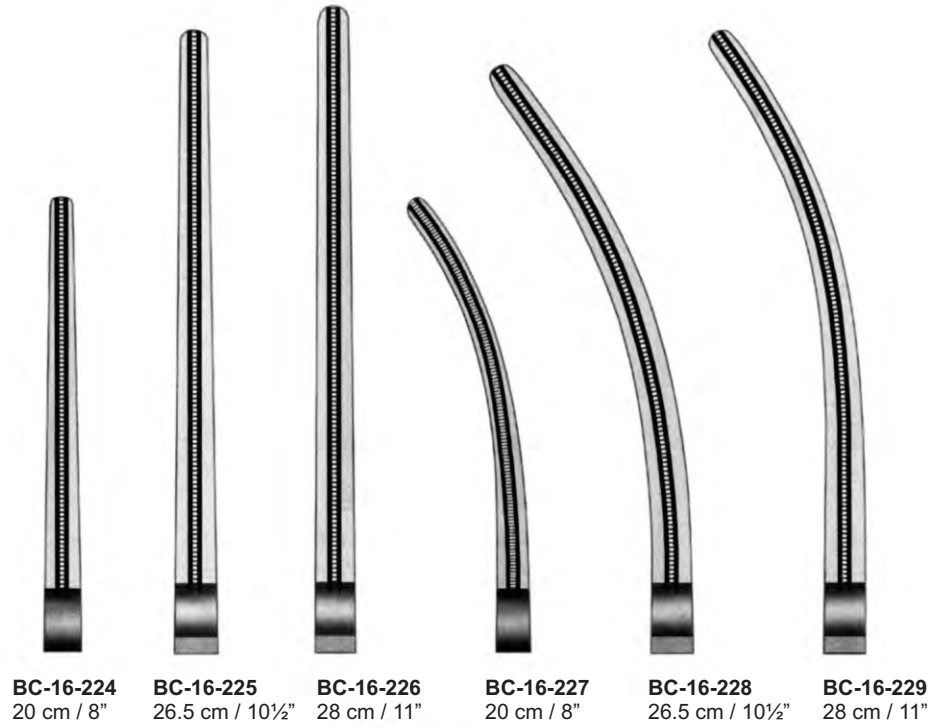
**De Bakey
BC-16-222**
12.5 cm / 5"



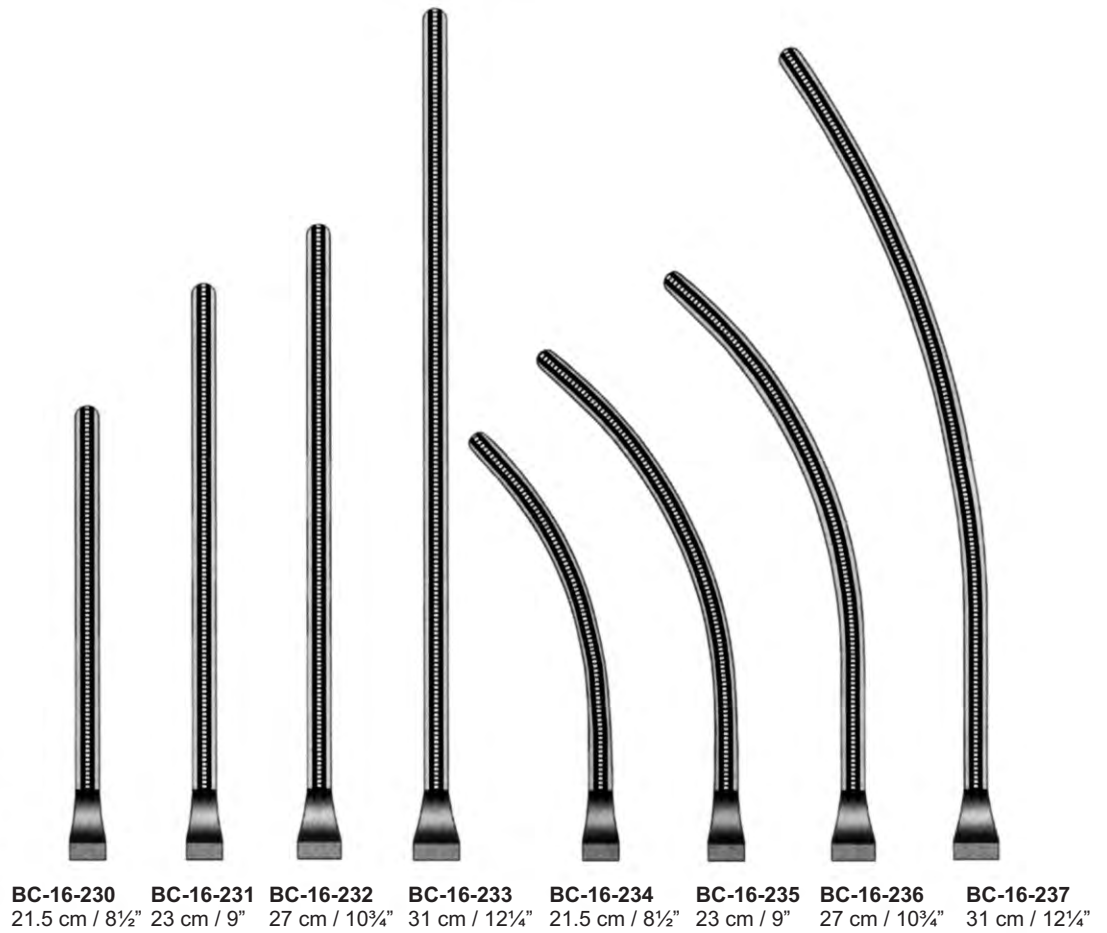
**De Bakey
BC-16-223**
12.5 cm / 5"



De Bakey-Pean



De Bakey





De Bakey-Bainbridge

BC-16-238
 15 cm / 6"



BC-16-239
 18.5 cm / 7 1/4"



De Bakey-Bainbridge

BC-16-240
 15 cm / 6"



BC-16-241
 18.5 cm / 7 1/4"



De Bakey



BC-16-242
 16 cm / 6 1/4"



BC-16-243
 15.5 cm / 6 1/4"



BC-16-244
 14 cm / 5 1/2"

Multi-purpose clamps
 Pinzas-clamps de varias aplicaciones
 Pincas-clamps universelles



BC-16-245
15.5 cm / 6"

De Bakey



BC-16-246
19.5 cm / 7¾"



De Bakey



BC-16-247
15 cm / 6"



BC-16-248
19 cm / 7½"



De Bakey-Potts
BC-16-249
20.5 cm / 8"



De Bakey-Potts
BC-16-250
20 cm / 8"





De Bakey
BC-16-252
16.5 cm / 6½"



De Bakey
BC-16-253
16 cm / 6¼"



De Bakey
BC-16-254
17 cm / 6¾"



De Bakey
BC-16-255
17 cm / 6¾"



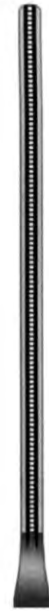
De Bakey



BC-16-256
20.5 cm / 8"



BC-16-257
22.5 cm / 9"



BC-16-258
26 cm / 10½"



De Bakey



BC-16-259
20 cm / 8"



BC-16-260
22 cm / 8¾"



BC-16-261
25.5 cm / 10"



Gregory

BC-16-262
 14 cm / 5½"



BC-16-263
 16 cm / 6¼"



BC-16-264
 18 cm / 7"



Profunda clamps
 Pinzas-clamps para la Profunda
 Pincas-clamps pour femorale

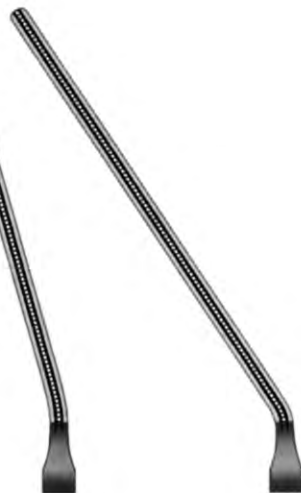


Leland-jones

BC-16-265
 19 cm / 7½"



BC-16-266
 18.5 cm / 7¼"



De Bakey
BC-16-267
 18 cm / 7"

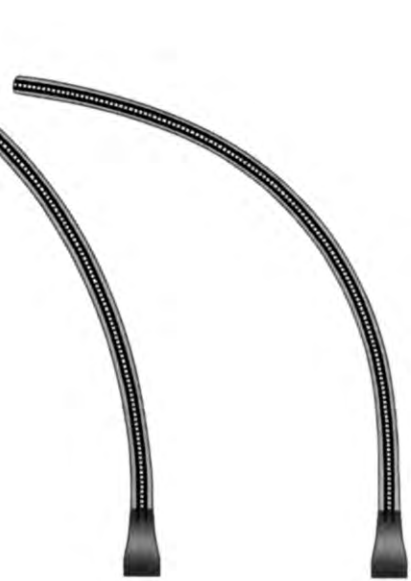
Peripheral vascular clamps
 Pinzas-clamps para vasos perifericos
 Pincas-clamps vasculaires peripheriques



De Bakey
BC-16-268
15.5 cm / 6"



De Bakey



BC-16-269
20 cm / 8"

BC-16-270
19 cm / 7½"



Dale



BC-16-271
17 cm / 6¾"



BC-16-272
17.5 cm / 7"



BC-16-273
18 cm / 7"



BC-16-274
18.5 cm / 7¼"



De Bakey
BC-16-275
15 cm / 6"



De Bakey
BC-16-276
16.5 cm / 6½"



De Bakey
BC-16-277
18 cm / 7"



De Bakey
BC-16-278
19 cm / 7½"



De Bakey
BC-16-279
20 cm / 8"
Renal artery clamp
Pinza-clamp para arteria renal
Pince hemostatique renale



Javid
BC-16-280
18 cm / 7"
Carotid clamp
Pinza-clamp para carotida
Pince-clamp pour la carotide



Javid
BC-16-281
19 cm / 7½"
Carotid clamp
Pinza-clamp para carotida
Pince-clamp pour la carotide



Subramanian
BC-16-282
15.5 cm / 6"



Subramanian
BC-16-283
15.5 cm / 6"
Aortic clamp
pinzas-clamps para aorta
Pinces-clamps pour aorte



De Bakey-Beck
BC-16-284
16 cm / 6¼"



BC-16-285
22 cm / 8³/₄"



BC-16-288
20.5 cm / 8"



BC-16-290
19.5 cm / 7³/₄"

BC-16-286
23 cm / 9"

BC-16-289
23 cm / 9"

BC-16-292
23 cm / 9"

BC-16-288
22 cm / 8³/₄"

BC-16-291
21.5 cm / 8¹/₂"



Bailey



Bailey



Bailey



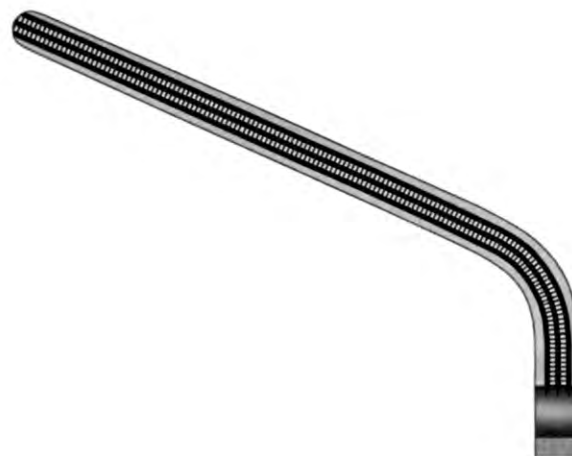
Dietrich
BC-16-293
19.5 cm / 7 ¾"

Ochsner
BC-16-294
24 cm / 9 ½"

De Bakey
BC-16-295
26 cm / 10 ¼"



BC-16-296
22.5 cm / 9"



BC-16-298
27.5 cm / 10 3/4"



BC-16-297
18 cm / 7"



BC-16-299
23 cm / 9"



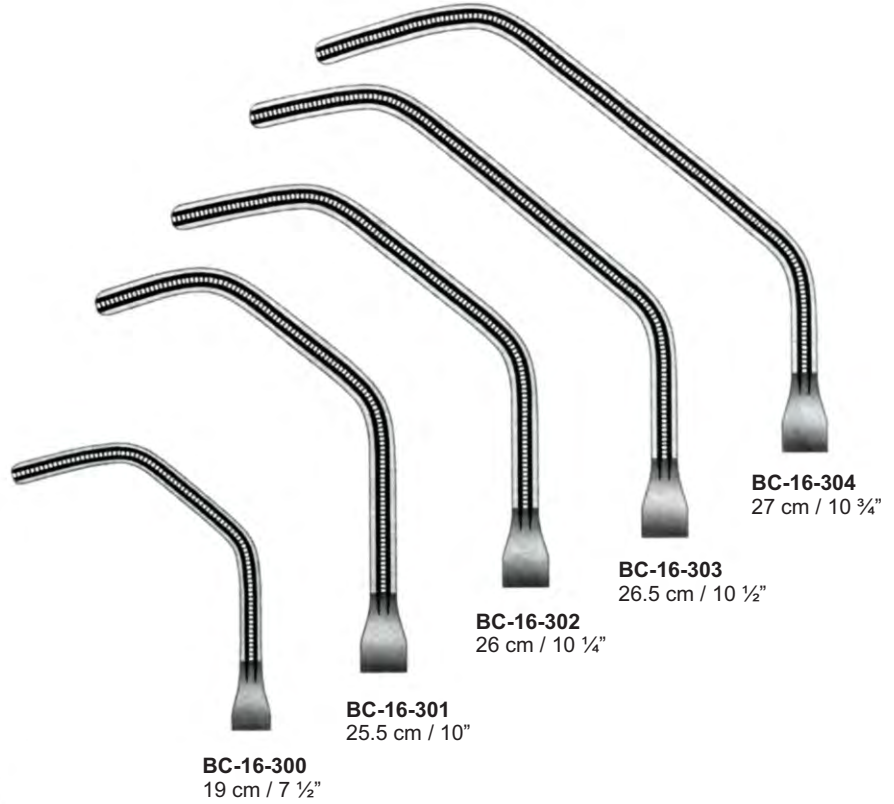
De Bakey-Morris



De Bakey-Morris



De Bakey



BC-16-300
19 cm / 7 1/2"

BC-16-301
25.5 cm / 10"

BC-16-302
26 cm / 10 1/4"

BC-16-303
26.5 cm / 10 1/2"

BC-16-304
27 cm / 10 3/4"



De Bakey-Satinsky



BC-16-305
23.5 cm / 9 1/4"

BC-16-306
24 cm / 9 1/2"

BC-16-307
24.5 cm / 9 3/4"

BC-16-308
25 cm / 10"

BC-16-309
28.5 cm / 11 1/4"



De Bakey-Reynolds



BC-16-310
16.5 cm / 6 1/2"



BC-16-311
16.5 cm / 6 1/2"



BC-16-312
17.5 cm / 7"



BC-16-313
17.5 cm / 7"



De Bakey-Derra



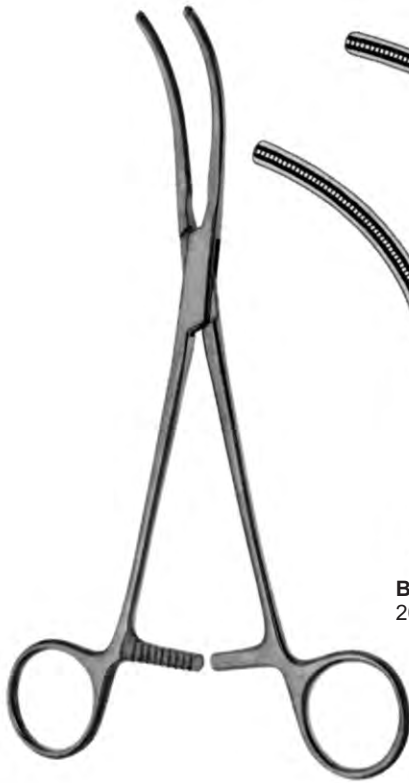
BC-16-314
16.5 cm / 6 1/2"



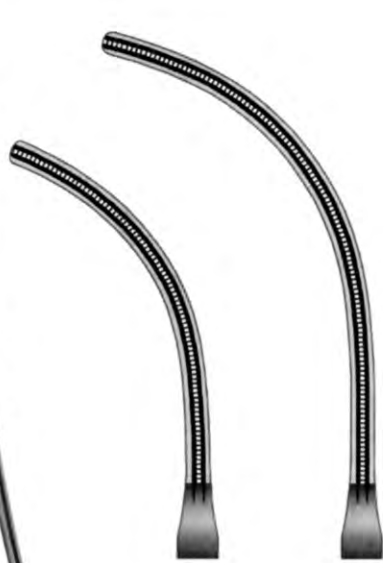
BC-16-315
16.5 cm / 6 1/2"



BC-16-316
17 cm / 6 3/4"



Glover



BC-16-317
20.5 cm / 8"

BC-16-318
24.5 cm / 9 3/4"



Glover



BC-16-319
21 cm / 8 1/4"

BC-16-320
25.5 cm / 10"



Glover



BC-16-321
18 cm / 7"



BC-16-322
22 cm / 8 3/4"



De Bakey
BC-16-323
17 cm / 6 3/4"



De Bakey-Beck

BC-16-324
15 cm / 6"

BC-16-325
15 cm / 6"



De Bakey

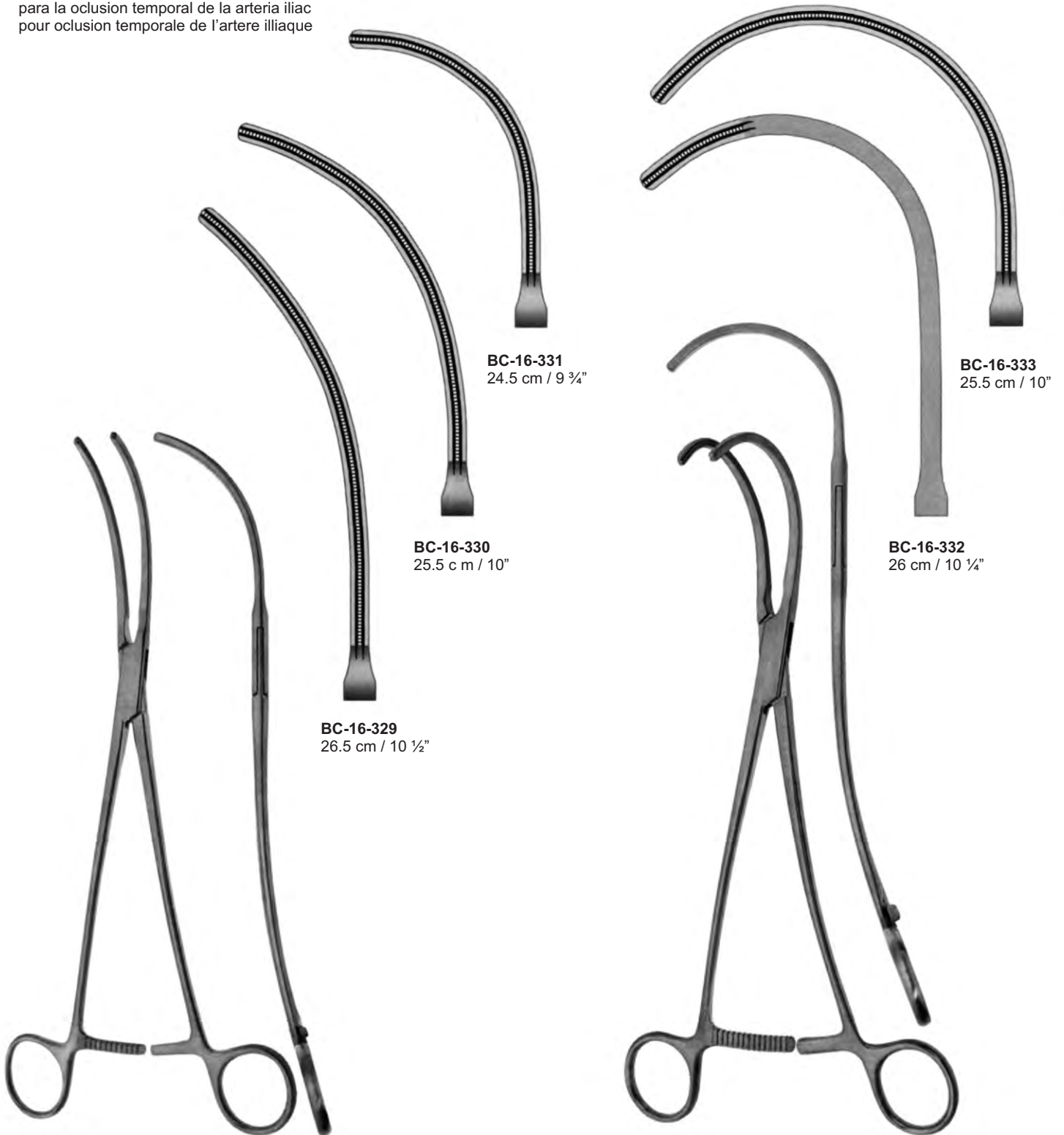
BC-16-326
16 cm / 6 1/4"



BC-16-327
16 cm / 6 1/4"

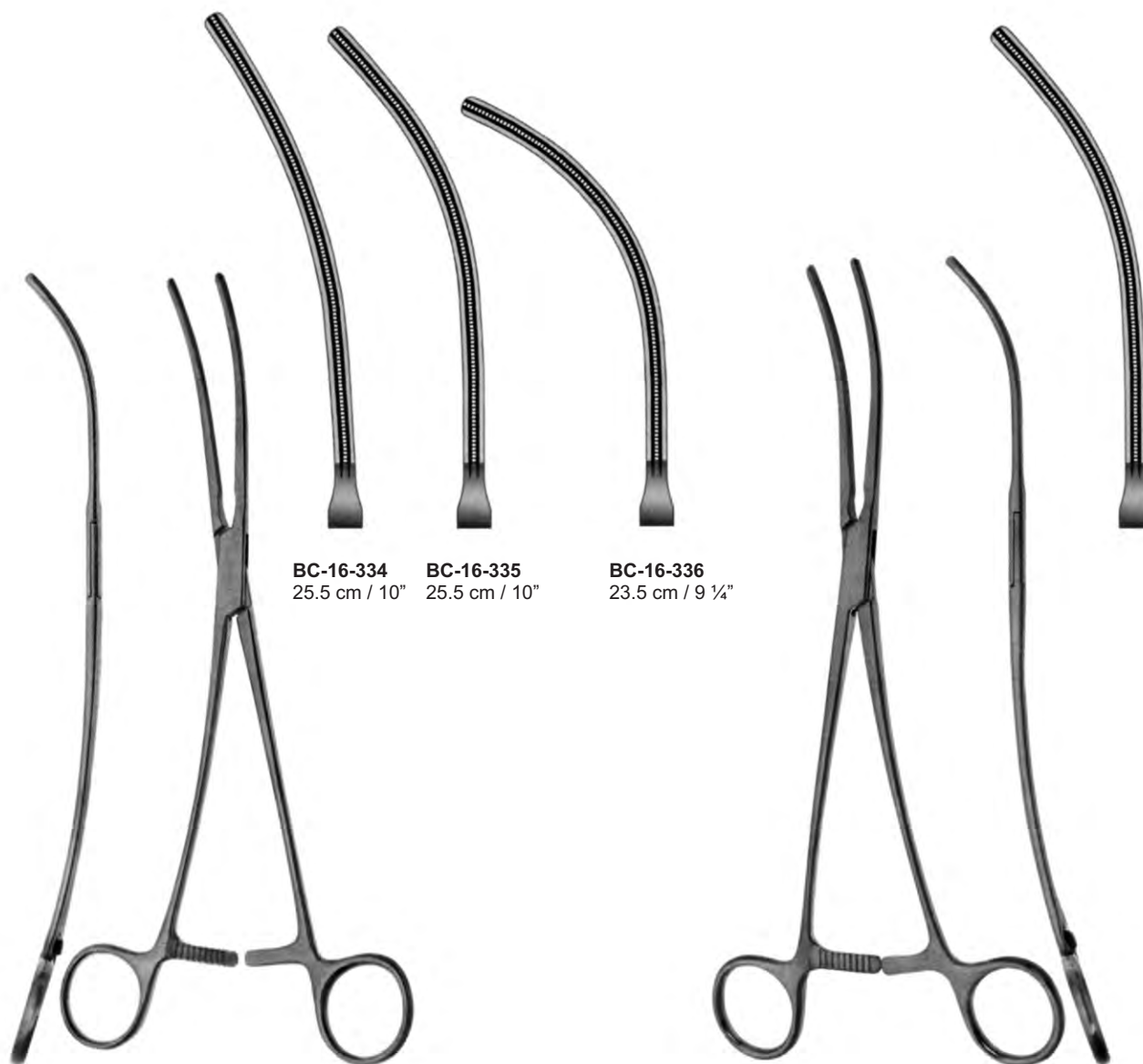
BC-16-328
16 cm / 6 1/4"

For temporary occlusion of the arteria iliaca
para la oclusion temporal de la arteria iliac
pour occlusion temporaire de l'artere illiaque



De Bakey-Bahnson

De Bakey



BC-16-334
25.5 cm / 10"

BC-16-335
25.5 cm / 10"

BC-16-336
23.5 cm / 9 1/4"

De Bakey-Crafoord

De Bakey-Crafoord
BC-16-337
26 cm / 10 1/4"



BC-16-338 26 cm / 10 ¼"
BC-16-339 26.5 cm / 10 ½"
BC-16-340 31 cm / 12 ¼"
BC-16-341 33 cm / 13"

De Bakey

De Bakey
BC-16-342
30.5 cm / 12"



Weber
BC-16-343
25 cm / 10"
left
izquierda
a gauche



Weber
BC-16-344
25 cm / 10"
right
derecha
a droite



Lambert-Kay

B-16-345
19.5 cm / 7 3/4"

BC-16-346
20 cm / 8"



Wylie

BC-16-347
22.5 cm / 9"

BC-16-348
23 cm / 9"



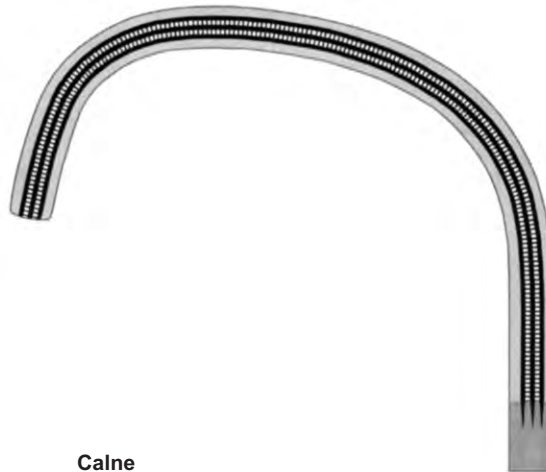
De Bakey-Beck



BC-16-349
 19 cm / 7 1/2"



BC-16-350
 21 cm / 8 1/4"

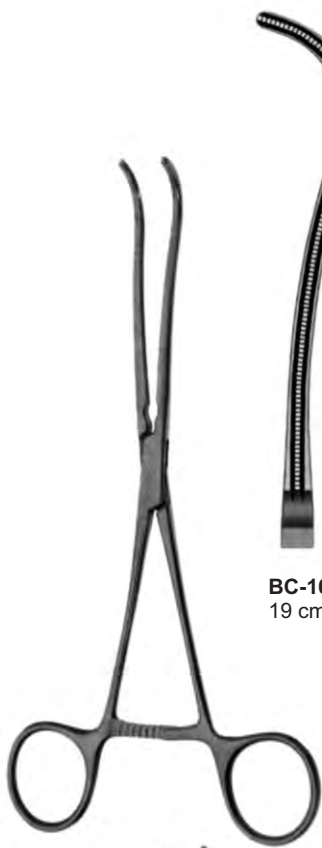


Calne
BC-16-351
 27 cm / 10 3/4"

The special clamp makes it possible to clamp the vena cava interior above the liver according to the anatomic condition. The lock at the upper end of the jaws fixes firmly the part of the jaws of the clamp after it is placed. Thus impeding the vena cava interior -clamped together with diaphragm- from slipping out.

Se facilita la colocacion amoldada de la vena cava interior sobre el higado, por causa de la forma anatomica de la pinza clamp especial. El cierre a la punta de la mandibula sujeta firmemente la pinza clamp y evita que se escape la vana cava interior con el diafragma.

Le clamp special permet un clampage atraumatique de la veine cave interieure au-dessus du foie, adapte aux conditions anatomiques. L'anneau terminal permet de maintenir les mors joints evitant ainsi le glisse-ment de la veine cave superieure clampee avec le diaphragme.



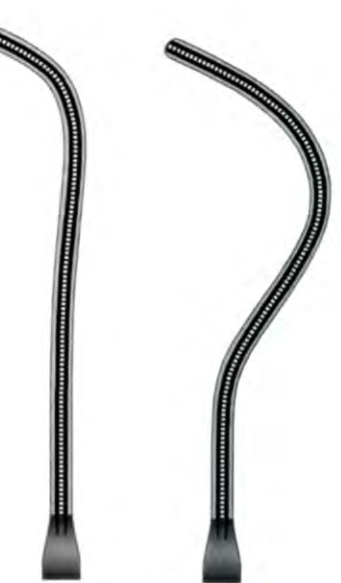
BC-16-352
19 cm / 7 1/2"



BC-16-353
23 cm / 9"



De Bakey-Harken



BC-16-354
25.5 cm / 10"

BC-16-355
25 cm / 10"



De Bakey



BC-16-356
20 cm / 8"

BC-16-357
20 cm / 8"

BC-16-358
24 cm / 9 1/2"

BC-16-359
24 cm / 9 1/2"

BC-16-360
26.5 cm / 10 1/2"

BC-16-361
27 cm / 10 3/4"



Lees
BC-16-362
21 cm / 8 1/4"



Lees
BC-16-363
22 cm / 8 3/4"



Lees
BC-16-364
24.5 cm / 9 3/4"



De Bakey



- BC-16-365**
20 cm / 8"
- BC-16-366**
23.5 cm / 9 1/4"
- BC-16-367**
30.5 cm / 12"
- BC-16-368**
24 cm / 9 1/2"



De Bakey



- BC-16-372**
22 cm / 8 3/4"
- BC-16-371**
27.5 cm / 10 3/4"
- BC-16-370**
21 cm / 8 1/4"
- BC-16-369**
18.5 cm / 7 1/4"



BC-16-373
 15 cm / 6"



15°
BC-16-374
 15 cm / 6"



30°
BC-16-375
 15 cm / 6"



45°
BC-16-376
 14.5 cm / 5 ¾"



90°
BC-16-377
 13 cm / 5 ⅛"



BC-16-378
 16.5 cm / 6 ½"



15°
BC-16-379
 16.5 cm / 6 ½"



30°
BC-16-380
 16 cm / 6 ¼"



45°
BC-16-381
 16 cm / 6 ¼"



90°
BC-16-382
 13.5 cm / 5 ¼"



Dardik

For pediatric surgery. Para la pediatria. Pour chirurgie pediatrique



BC-16-383
14 cm / 5 1/2"

Cooley



BC-16-384
14 cm / 5 1/2"



Cooley



BC-16-385
11.5 cm / 4 1/2"



BC-16-386
11.5 cm / 4 1/2"



BC-16-387
11.5 cm / 4 1/2"



Cooley
BC-16-388
14 cm / 5 1/2"



Cooley
BC-16-389
13.5 cm / 5 1/4"



Cooley
BC-16-390
13.5 cm / 5 1/4"





Cooley
BC-16-391
 12.5 cm / 5"
 Bulldog clamp
 Clamp Bulldog
 Clamp Bulldog



Cooley
BC-16-392
 12.5 cm / 5"
 Bulldog clamp
 Clamp Bulldog
 Clamp Bulldog



Cooley
BC-16-393
 15.5 cm / 6"
 Patent ductus clamp
 Pinzas patente de conducto
 Clamp patent-ductus droit



Cooley
BC-16-394
 15 cm / 6"
 Patent ductus clamp
 Pinzas patente de conducto
 Clamp patent-ductus droit



Cooley



BC-16-395
 16 cm / 6 1/4"



BC-16-396
 15.5 cm / 6"



BC-16-397
 14 cm / 5 1/2"

Multi-purpose clamps. Pinzas-clamps de varias aplicaciones. Pincas-clamp universelles



Cooley
BC-16-398
16.5 cm / 6 1/2"



Cooley
BC-16-399
16 cm / 6 1/4"



Cooley
BC-16-400
17 cm / 6 3/4"



Cooley
BC-16-401
17 cm / 6 3/4"



BC-16-402
19.5 cm / 7 3/4"



BC-16-403
22.5 cm / 9"



BC-16-404
19 cm / 7 1/2"



BC-16-405
22 cm / 8 3/4"



Cooley
BC-16-406
 18 cm / 7"
 Peripheral vascular clamp
 Pinza-clamp para vasos perifericos
 Pince-clamp peripherique



Cooley
 Iliac clamp
 Pinzas-clamp para iliaca
 Pincas-clamps iliques

BC-16-407
 21 cm / 8 1/4"



BC-16-408
 27 cm / 10 3/4"



Cooley



BC-16-409
 18.5 cm / 7 1/4"



BC-16-410
 19.5 cm / 7 3/4"



BC-16-411
 27.5 cm / 10 3/4"

Renal artery clamp, also used for subclavian and carotid artery
 Pinzas-clamps para las arterias renales, tambien se usan para la ateria clavicular y carotide
 Pincas hemostatiques renales, egalement utilisees pour L' artere claviculaire et la carotide



Cooley-Reynolds



BC-16-412
16.5 cm / 6 1/2"



BC-16-413
16.5 cm / 6 1/2"



BC-16-414
17.5 cm / 7"



BC-16-415
17.5 cm / 7"



Cooley-Derra



BC-16-416
16.5 cm / 6 1/2"



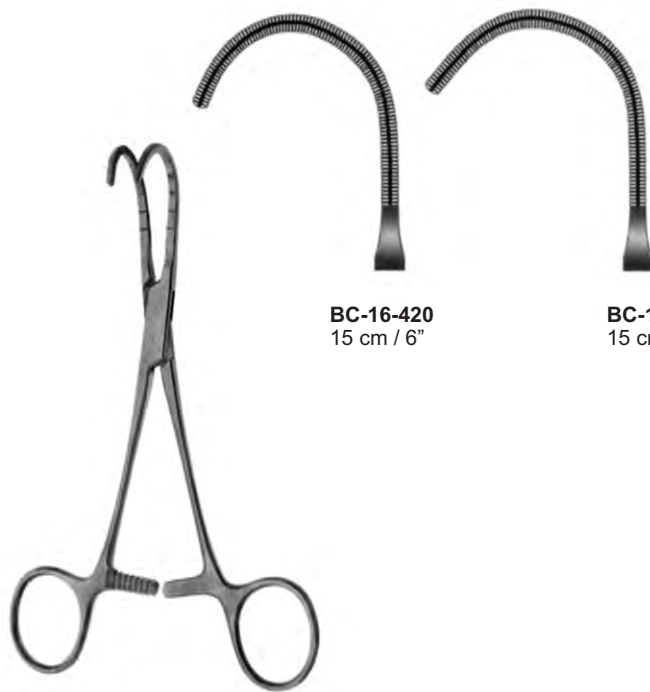
BC-16-417
16.5 cm / 6 1/2"



BC-16-418
17 cm / 6 3/4"



Cooley
BC-16-419
17 cm / 6 3/4"



BC-16-420
15 cm / 6"

BC-16-421
15 cm / 6"

Cooley-Beck



Cooley



BC-16-423
16 cm / 6 1/4"

BC-16-424
16 cm / 6 1/4"

BC-16-422
16 cm / 6 1/4"



Cooley
BC-16-425
26.5 cm / 10 1/2"
Aortic aneurysm clamp
Pinzas-clamp para aneurisma de aorta
Pince-clamp pour aneurisme de l'aorte



Cooley
BC-16-426
25 cm / 10"
Aortic clamps
Pinza-clamp para aorta
Pince-clamp pour aorte



Bc-16-427
19 cm / 7 1/2"

BC-16-228
25.5 cm / 10"

BC-16-429
27 cm / 10 3/4"

Tangential occlusion clamps
Pinzas-clamps para oclusion tangencial
Pincas-clamps pour oclusion tangentielle



BC-16-430
20 cm / 8"

BC-16-431
23.5 cm / 9 1/4"

Multi-Purpose clamps
Pinzas-clamps de varias aplicaciones
Pincas-clamps universelles



BC-16-438
24 cm / 9 1/2"



BC-16-439
24 cm / 9 1/2"



Finochietto
BC-16-440
24 cm / 9 1/2"
Thoracic and ligature forceps
Pinzas de toracica y ligadura
Pince thoracique et pour ligatures

Semb
Dissecting and ligature forceps
Pinzas de diseccion y ligaduras
Pinces a dissequer et a ligatures



BC-16-441
24 cm / 9 1/2"



BC-16-442
24 cm / 9 1/2"



BC-16-443
24 cm / 9 1/2"



Crafoord
Auricle clamps
Pinzas para la auricula atri
Pinces-clamps auriculaires

Anastomosis (Vena Cava) Clamps
Pinzas-clamps para anastomosis (vena cava)
Pinces-clamps a anastomose (veine cave)



BC-16-446
20.5 cm / 8"

BC-16-447
27 cm / 10 3/4"



Baby-Satinsky
BC-16-444
16 cm / 6 1/4"



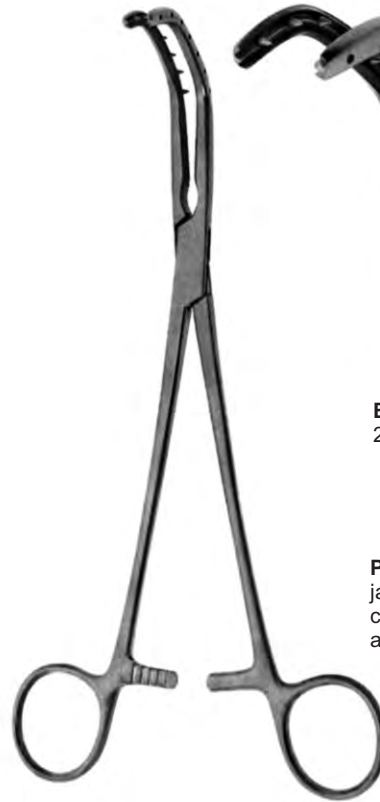
Satinsky
BC-16-445
24 cm / 9 1/2"



Satinsky



Price-Thomas
BC-16-448
22 cm / 8 3/4"



BC-16-449
22 cm / 8 3/4"



BC-16-450
22 cm / 8 3/4"

Price-Thomas
jaw with pins
con dientes
avec dents



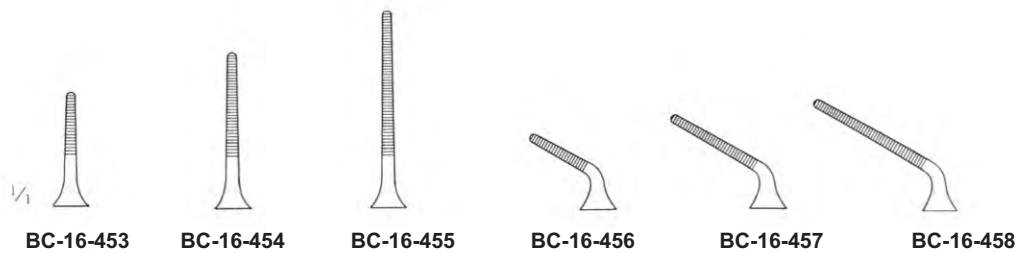
Sarot
jaw with pins
con dientes
avec dents



BC-16-451
22.5 cm / 9"

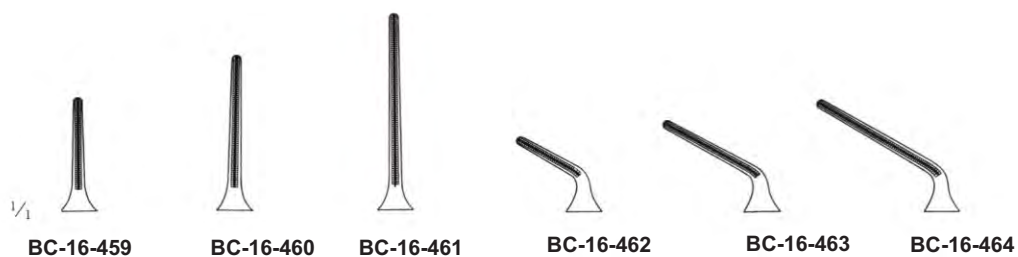


BC-16-452
22.5 cm / 9"



Diethrich

	BC-16-453	BC-16-454	BC-16-455	BC-16-456	BC-16-457	BC-16-458
Length longitud longueur	4.5 cm	4.55 cm	5 cm	4.5 cm	5 cm	6 cm
Jaw length longitud de la boca longeur des mors	8 mm	12 mm	20 mm	8 mm	12 mm	20 mm
Closing pressure presion de cierre pression d' occlusion	50 gr.	50 gr.	50 gr.	50 gr.	50 gr.	50 gr.
Weight peso poids	3 gr.	3 gr.	3 gr.	3 gr.	3 gr.	3 gr.



De Bakey-Diethrich

	BC-16-459	BC-16-460	BC-16-461	BC-16-462	BC-16-463	BC-16-464
Length longitud longueur	4.5 cm	5 cm	6 cm	3.5 cm	4.5 cm	6 cm
Jaw length longitud de la boca longeur des mors	10 mm	14 mm	20 mm	10 mm	14 mm	20 mm
Closing pressure presion de cierre pression d' occlusion	180 gr.	180 gr.	180 gr.	180 gr.	180 gr.	180 gr.
Weight peso poids	3 gr.	3 gr.	3 gr.	3 gr.	3 gr.	3 gr.



**Vena
BC-16-465**



**Vena
BC-16-466**



**Vena
BC-16-467**



**Vena
BC-16-468**

Closing pressure
presion de cierre
pression d' occlusion

110+/-10 gr.

110+/-10 gr.

110+/-10 gr.

110+/-10 gr.

**Arteria
BC-16-469**

**Arteria
BC-16-470**

**Arteria
BC-16-471**

**Arteria
BC-16-472**

Closing pressure
presion de cierre
pression d' occlusion

220+/- 10 gr.

220+/- 10 gr.

220+/- 10 gr.

220+/- 10 gr.

Length
longitud
longueur

30 mm

35 mm

40 mm

50 mm

Jaw length
longitud de la boca
longueur des mors

9 mm

13 mm

14 mm

23 mm

Weight
peso
poids

1 gr.

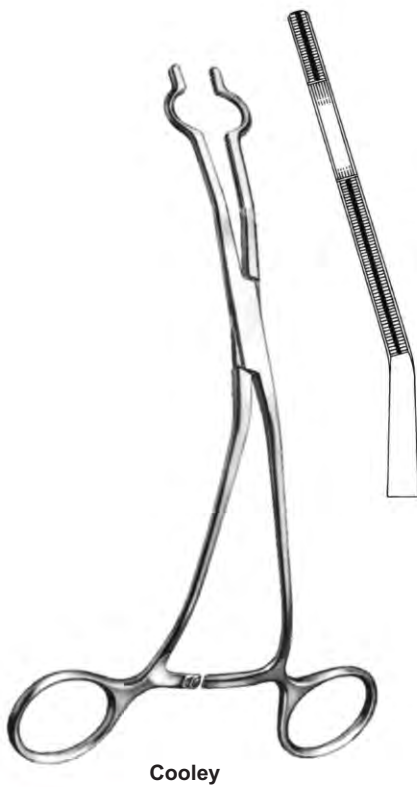
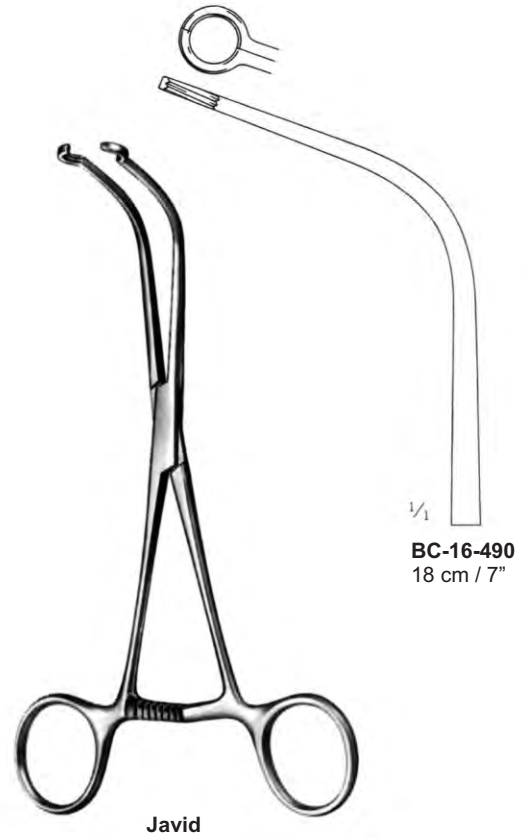
1 gr.

1 gr.

1.5 gr.



	Vena BC-16-473	Vena BC-16-474	Vena BC-16-475	Vena BC-16-476
	Closing pressure pression de cierre pression d' occlusion	110+/-10 gr.	110+/-10 gr.	110+/-10 gr.
	Arteria BC-16-477	Arteria BC-16-478	Arteria BC-16-479	Arteria BC-16-480
	Closing pressure pression de cierre pression d' occlusion	220+/-10 gr.	220+/-10 gr.	220+/-10 gr.
	Jaw length longitud de la boca longueur des mors	30 mm	35 mm	40 mm
		9 mm	13 mm	14 mm
	Weight peso poids	1 gr.	1 gr.	1 gr.
	Vena BC-16-481	Vena BC-16-482	Vena BC-16-483	Vena BC-16-484
	Closing pressure pression de cierre pression d' occlusion	110+/-10 gr.	110+/-10 gr.	110+/-10 gr.
	Arteria BC-16-485	Arteria BC-16-486	Arteria BC-16-487	Arteria BC-16-488
	Closing pressure pression de cierre pression d' occlusion	220+/-10 gr.	220+/-10 gr.	220+/-10 gr.
	Jaw length longitud de la boca longueur des mors	30 mm	35 mm	40 mm
		10 mm	14 mm	15 mm
	Weight peso poids	1 gr.	1 gr.	1 gr.
				1.5 gr.



BC-16-491
16 cm / 6 1/4"
24 Charr.



BC-16-492
16 cm / 6 1/4"
26 Charr.



BC-16-493
20 cm / 8"
28 Charr.



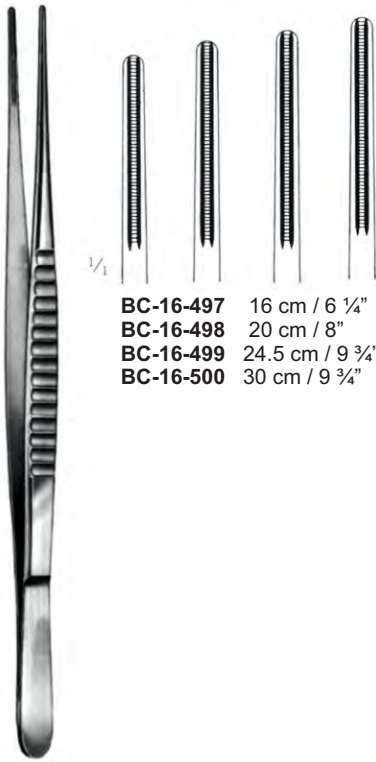
BC-16-494
20 cm / 8"
30 Charr.



BC-16-495
20 cm / 8"
32 Charr.

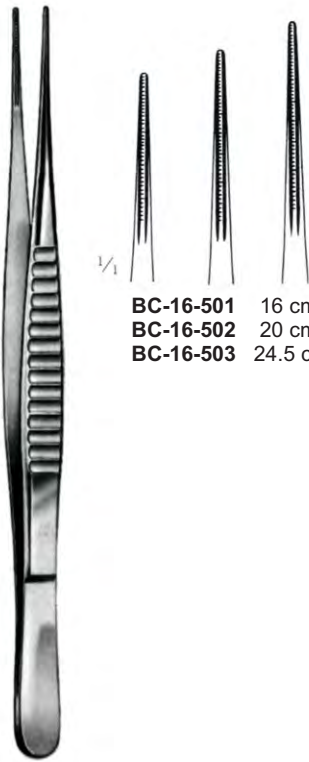


BC-16-496
20 cm / 8"
36 Charr.



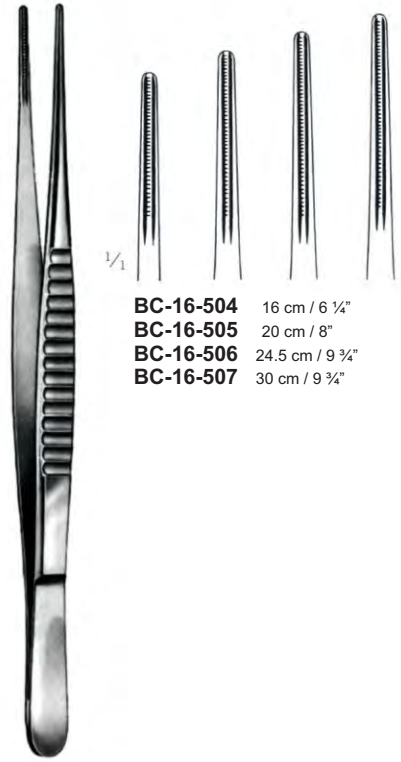
- 1/4
- BC-16-497** 16 cm / 6 1/4"
 - BC-16-498** 20 cm / 8"
 - BC-16-499** 24.5 cm / 9 3/4"
 - BC-16-500** 30 cm / 9 3/4"

De Bakay
2.7 mm



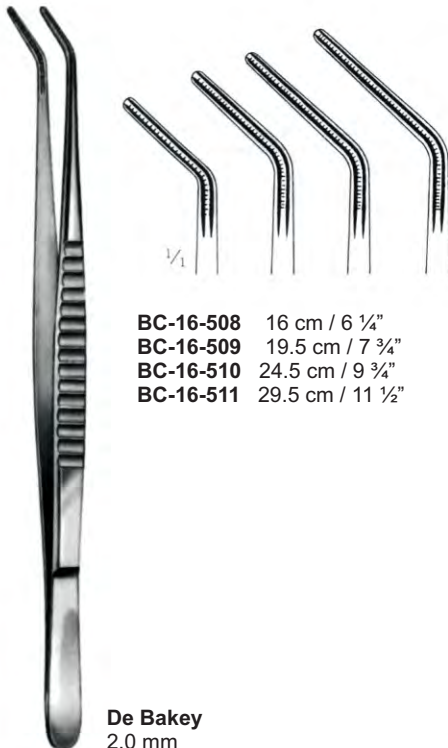
- 1/4
- BC-16-501** 16 cm / 6 1/4"
 - BC-16-502** 20 cm / 8"
 - BC-16-503** 24.5 cm / 9 3/4"

De Bakay
1.5 mm



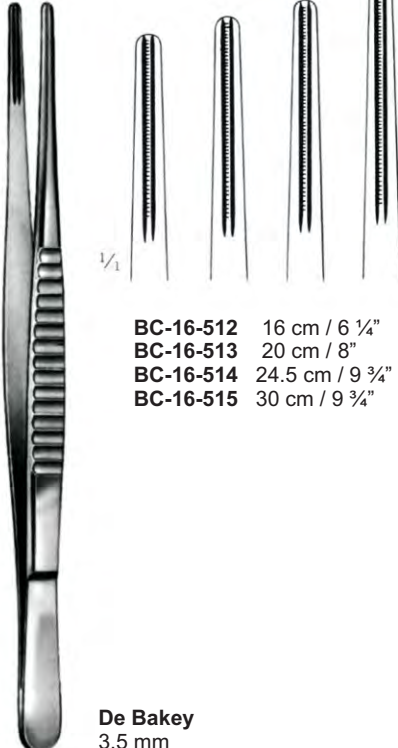
- 1/4
- BC-16-504** 16 cm / 6 1/4"
 - BC-16-505** 20 cm / 8"
 - BC-16-506** 24.5 cm / 9 3/4"
 - BC-16-507** 30 cm / 9 3/4"

De Bakay
2.0 mm



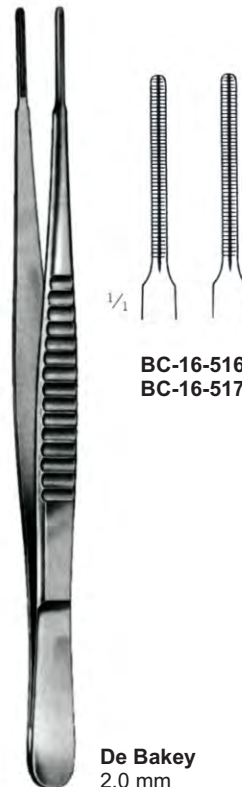
- 1/4
- BC-16-508** 16 cm / 6 1/4"
 - BC-16-509** 19.5 cm / 7 3/4"
 - BC-16-510** 24.5 cm / 9 3/4"
 - BC-16-511** 29.5 cm / 11 1/2"

De Bakay
2.0 mm



- 1/4
- BC-16-512** 16 cm / 6 1/4"
 - BC-16-513** 20 cm / 8"
 - BC-16-514** 24.5 cm / 9 3/4"
 - BC-16-515** 30 cm / 9 3/4"

De Bakay
3.5 mm



- 1/4
- BC-16-516** 16 cm / 6 1/4"
 - BC-16-517** 20 cm / 8"

De Bakay
2.0 mm



BC-16-518
17.5 cm / 7"



1:2
normal profile
perfil normal
profil normal

Bonney



BC-16-519
17.5 cm / 7"



1:2
normal profile
perfil normal
profil normal

Gerald



BC-16-520
15.5 cm / 6"



1:2
normal profile
perfil normal
profil normal

Gillies



BC-16-521
15 cm / 6"
mini profile
perfil mini
profil mini

Mc Indoe



BC-16-522
15.5 cm / 6"



1:2
normal profile
perfil normal
profil normal



BC-16-523
17.5 cm / 7"



1:2



BC-16-524
15.5 cm / 6"



1:2
mini profile
perfil mini
profil mini

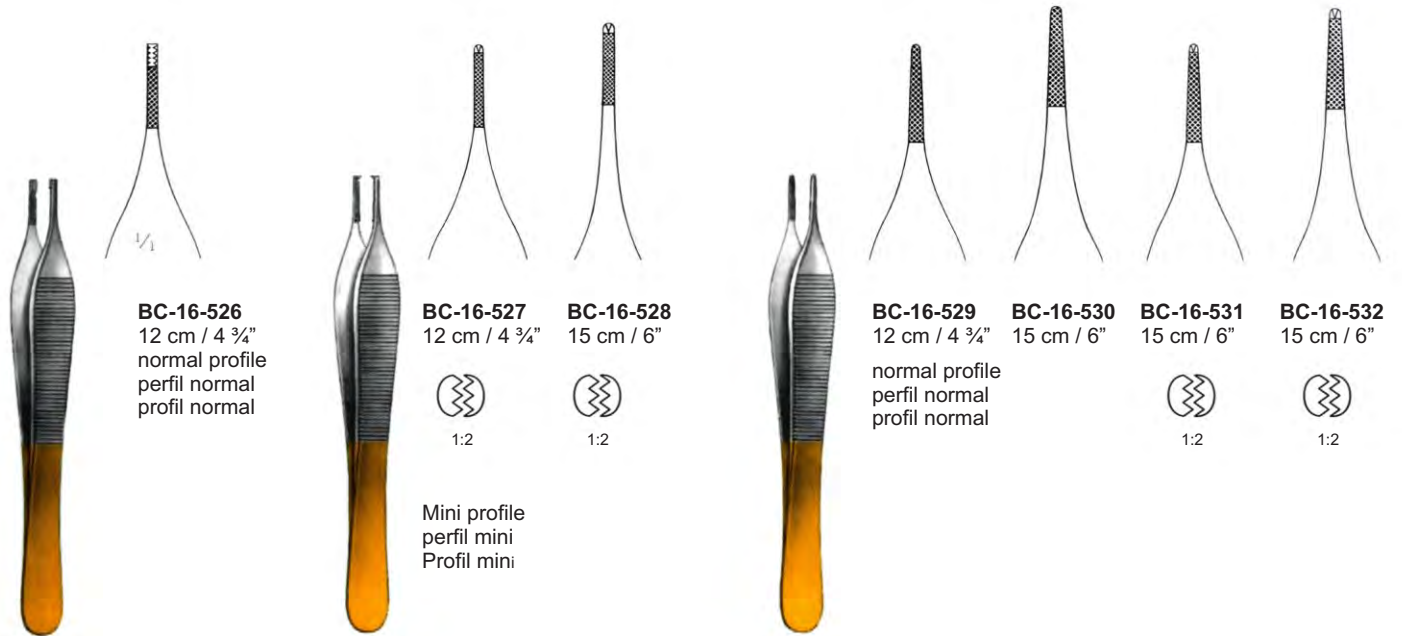


BC-16-525
17.5 cm / 7"



1:2

Semkin



BC-16-526
 12 cm / 4 3/4"
 normal profile
 perfil normal
 profil normal

BC-16-527
 12 cm / 4 3/4"
 Mini profile
 perfil mini
 Profil mini

BC-16-528
 15 cm / 6"
 Mini profile
 perfil mini
 Profil mini

BC-16-529
 12 cm / 4 3/4"
 normal profile
 perfil normal
 profil normal

BC-16-530
 15 cm / 6"
 Mini profile
 perfil mini
 Profil mini

BC-16-531
 15 cm / 6"
 Mini profile
 perfil mini
 Profil mini

BC-16-532
 15 cm / 6"
 Mini profile
 perfil mini
 Profil mini

Adson-Brown

Adson

Adson



BC-16-533
 17.5 cm / 7"
 normal profile
 perfil normal
 profil normal

BC-16-534
 17 cm / 6 3/4"
 normal profile
 perfil normal
 profil normal

BC-16-535
 18.5 cm / 7 1/4"
 normal profile
 perfil normal
 profil normal

Cushing

Cushing

Cushing-Taylor



Potts-Smith



BC-16-536
16 cm / 6 1/4"



BC-16-537
18.5 cm / 7 1/4"



BC-16-538
20 cm / 8"



BC-16-539
23 cm / 9"



BC-16-540
25 cm / 9 3/4"

Normal profile
perfil normal
profil normal



Oehler



BC-16-541
14.5 cm / 5 3/4"



BC-16-542
16 cm / 6 1/4"



BC-16-543
18 cm / 7"



BC-16-544
20 cm / 8"



BC-16-545
25 cm / 9 3/4"



Normal profile
perfil normal
profil normal



Wangensteen



BC-16-546
15 cm / 6"



BC-16-547
23 cm / 9"



De Bakey



BC-16-548
16 cm / 6 1/4"



BC-16-549
20 cm / 8"



BC-16-550
24.5 cm / 9 3/4"

Micro profile
 Perfil micro
 Profil micro
 1.6 mm



BC-16-551
16 cm / 6 1/4"



BC-16-552
20 cm / 8"



BC-16-553
24.5 cm / 9 3/4"

Mini profile
 Perfil mini
 Profil mini
 2.0 mm



BC-16-554
18 cm / 7"

Jaboma



BC-16-555
18 cm / 7"
1:2



Jaboma



BC-16-556
18 cm / 7"
1:2



Jaboma



1.5 mm

BC-16-557 15 cm
BC-16-558 19.5 cm
BC-16-559 24 cm

De Bakey



2.0 mm

BC-16-560 15 cm
BC-16-561 19.5 cm
BC-16-562 24 cm

De Bakey



2.7 mm

BC-16-563 15 cm
BC-16-564 19.5 cm
BC-16-565 24 cm
BC-16-566 30 cm

De Bakey



De Bakey atraumatic
 serrations



3.5 mm

BC-16-567 19.5 cm
BC-16-568 24 cm
BC-16-569 30 cm

De Bakey



2.0 mm

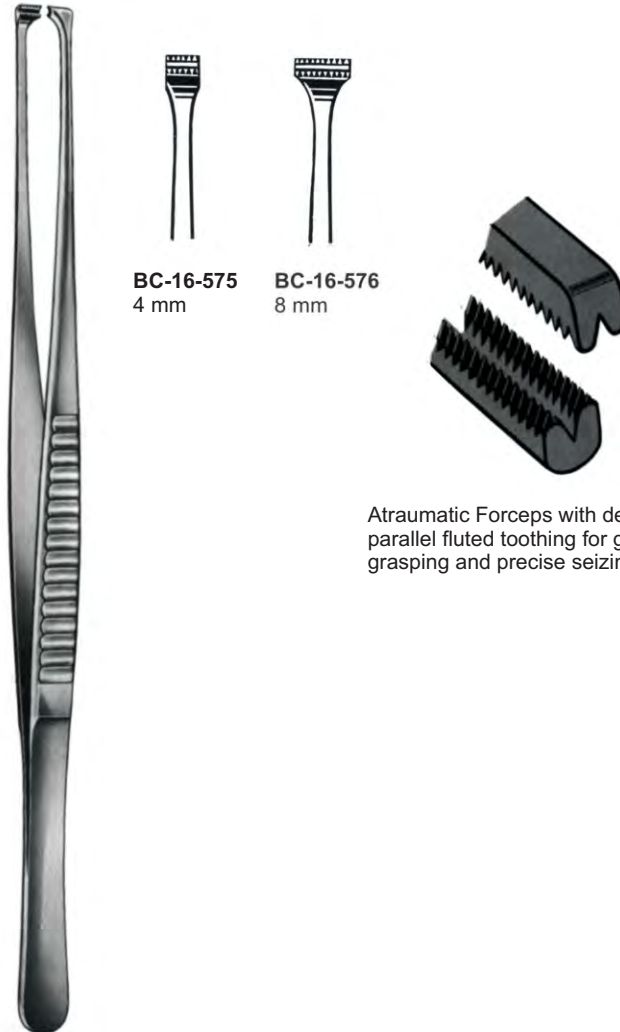
BC-16-570 15 cm
BC-16-571 19.5 cm
BC-16-572 24 cm

De Bakey



BC-16-573 BC-16-574

BC-16-573 15 cm
BC-16-574 24 cm



BC-16-575 4 mm
BC-16-576 8 mm

BC-16-575 15 cm
BC-16-576 24 cm


Atraumatic Forceps with delicate parallel fluted toothings for gentle grasping and precise seizing of finest tissues.



**WELMED Instrument Company
Defence Road, Near Wapda Grid Station
Sialkot 51310, Pakistan.**

Phone : +92 52 3554782, 3558704

Fax : +92 52 3550296

 Mobile : +92 333 8680640

Email : welmedpk@gmail.com

info@welmedinst.com

wmm@brain.net.pk

welmed@cyber.net.pk

Website : www.welmedinst.com